



MATERIAL

Vacuum cup in oil-proof rubber (NBR), natural (NR), or silicone (VMQ). Nickel-plated brass support.

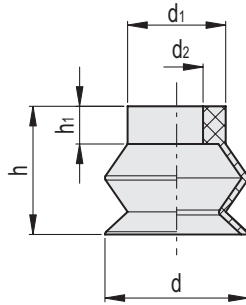
STANDARD EXECUTIONS

- VVL-19-A: oil-proof rubber, without support.
- VVL-19-N: natural rubber, without support.
- VVL-19-S: silicone rubber, without support.
- VVL-19-T-A: oil-proof rubber, with support.
- VVL-19-T-N: natural rubber, with support.
- VVL-19-T-S: silicone rubber, with support.

FEATURES AND APPLICATIONS

They are specifically used in the food packaging sector where the size and the shape of the vacuum cup allow the handling of different shaped and sized packages. The adaptability to different surfaces, including irregular ones or with imperfect flatness, mean that these vacuum cups are suitable for use in various sectors including paper processing for trading cards, labels and sheets of paper and the plastic sector for laminates and small parts.

The effective stroke of the bellows is 8 mm.
See Technical Data for vacuum cups (on page -).



VVL-19-A

Code	Description	d	d1	d2	h	h1	F* [Kg]	Volume # [cm3]	⚖️
VV.56038	VVL-19-N	19	13	7	17	5	0.7	1.9	1

VVL-19-N

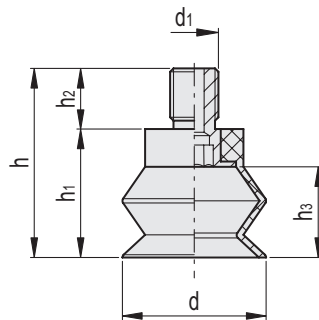
Code	Description	d	d1	d2	h	h1	F* [Kg]	Volume # [cm3]	⚖️
VV.56037	VVL-19-A	19	13	7	17	5	0.7	1.9	1

VVL-19-S

Code	Description	d	d1	d2	h	h1	F* [Kg]	Volume # [cm3]	⚖️
VV.56039	VVL-19-S	19	13	7	17	5	0.7	1.9	1

* The force of the vacuum cups indicated in the table represents 1/3 of the value of the theoretical force calculated at a vacuum level of -75 KPa and a safety coefficient of 3.

Indicates the internal geometric volume of the vacuum cup and represents the volume to be added to the entire distribution circuit for the calculation of the evacuation time, especially if multiple vacuum cups are used.



VVL-19-T-A

Code	Description	d	d1	h	h1	h2	h3	F* [Kg]	Volume # [cm3]	⚖️
VV.56040	VVL-19-M6-T-A	19	M6	25	17	8	10	0.7	1.9	4

VVL-19-T-N

Code	Description	d	d1	h	h1	h2	h3	F* [Kg]	Volume # [cm3]	⚖️
VV.56041	VVL-19-M6-T-N	19	M6	25	17	8	10	0.7	1.9	4

VVL-19-T-S

Code	Description	d	d1	h	h1	h2	h3	F* [Kg]	Volume # [cm3]	⚖️
VV.56042	VVL-19-M6-T-S	19	M6	25	17	8	10	0.7	1.9	4

* The force of the vacuum cups indicated in the table represents 1/3 of the value of the theoretical force calculated at a vacuum level of -75 KPa and a safety coefficient of 3.
 # Indicates the internal geometric volume of the vacuum cup and represents the volume to be added to the entire distribution circuit for the calculation of the evacuation time, especially if multiple vacuum cups are used.