



MATERIAL

Brass stem.
Stainless steel spring.
AVP steel threaded sleeve, hexagonal nuts in nickel-plated brass.
Air fitting in blue anodised aluminium and AVP steel.

STANDARD EXECUTIONS

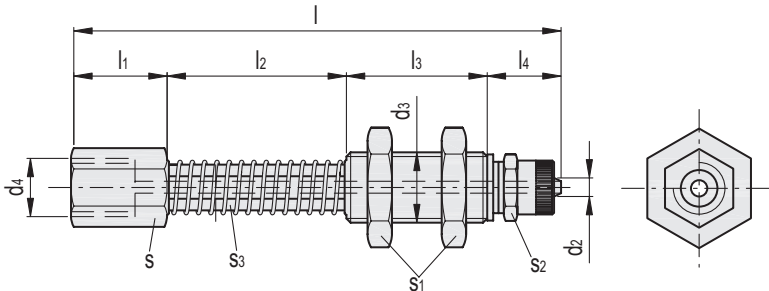
- **VPG-F**: with female threaded connection and straight quick fitting.
- **VPG-F-L**: with female threaded connection and L-shaped quick fitting.
- **VPG-F-T**: with female threaded connection and T-shaped quick fitting.
- **VPG-M**: with male threaded connection and straight quick fitting.
- **VPG-M-L**: with male threaded connection and L-shaped quick fitting.
- **VPG-M-T**: with male threaded connection and T-shaped quick fitting.

FEATURES

VPG vacuum cup suspensions comprise:

- a brass stem with a hexagonal cross-section for fixing the vacuum cup. This design prevents the stem and the vacuum cup fixed on it from rotating on its axis;
- a steel threaded sleeve, equipped with two hexagonal nuts, for height adjustment and for mounting them on the automation device;
- a spring to cushion the impact of the vacuum cup and at the same time maintain a constant pressure with the load to be lifted;
- a quick fitting for connection to the suction hose.

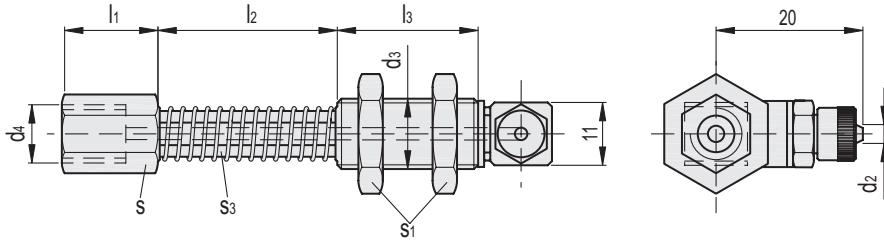
Suitable for vacuum cups with support, cup with a minimum diameter of 10 mm and a maximum of 60 mm, and elliptical.
The effective spring stroke in relation to the length l2 is equal to 25.5 mm.
Compatible with 4x6 diameter plastic tube.
See Technical Data for vacuum cups (on page -).



VPG-F

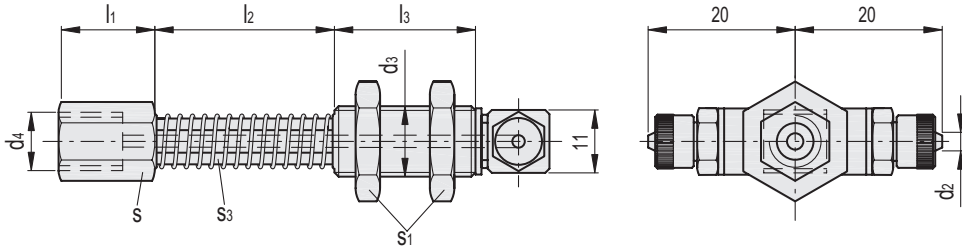
Code	Description	d2*	d3	d4	l	l1	l2	l3	l4	s	s1	s2	s3	△
VV.45501	VPG-95-28-G1/8-F	4	M12x1.25	G1/8	99	16	35.5	30	17.5	12	19	10	8	68

1 * Compatible with compressed air tubes of the diameter in the table.



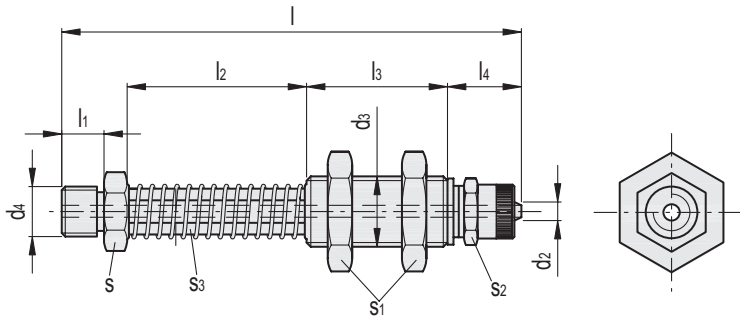
VPG-F-L

Code	Description	d2*	d3	d4	l1	l2	l3	s	s1	s2	△
VV.45502	VPG-95-28-G1/8-F-L	4	M12x1.25	G1/8	16	35.5	30	12	19	10	73



VPG-F-T

Code	Description	d2*	d3	d4	l1	l2	l3	s	s1	s2	△
VV.45503	VPG-95-28-G1/8-F-T	4	M12x1.25	G1/8	16	35.5	30	12	19	10	78



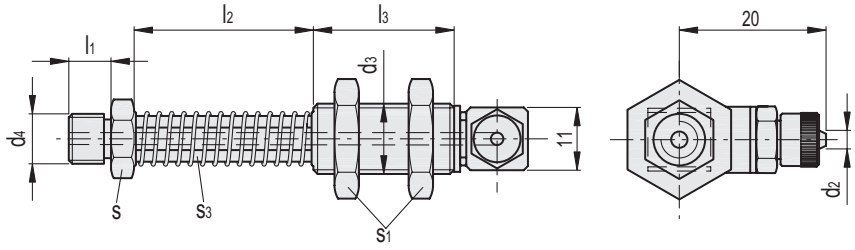
VPG-M

Code	Description	d2*	d3	d4	l	l1	l2	l3	l4	s	s1	s2	s3	△
VV.45504	VPG-95-38-G1/8-M	4	M12x1.25	G1/8	96	8	35.5	30	17.5	12	19	10	8	60

* Compatible with compressed air tubes of the diameter in the table.

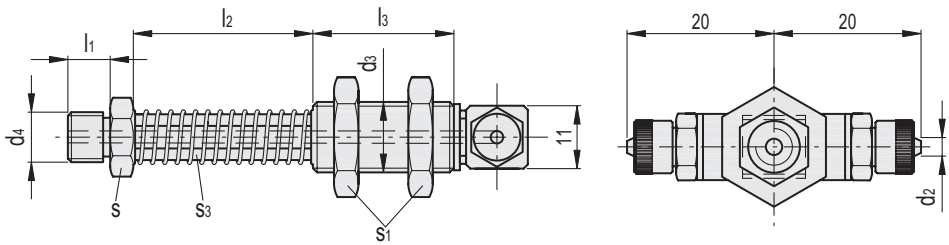


- 1
- 2
- 3
- 4
- 5
- 6
- 7
- 8
- 9
- 10
- 11
- 12
- 13
- 14
- 15
- 16
- 17
- 18
- 19



VPG-M-L

Code	Description	d2*	d3	d4	l1	l2	l3	s	s1	s2	⚖
VV.45505	VPG-95-38-G1/8-M-L	4	M12x1.25	G1/8	8	35.5	30	12	19	10	65



VPG-M-T

Code	Description	d2*	d3	d4	l1	l2	l3	s	s1	s2	⚖
VV.45506	VPG-95-38-G1/8-M-T	4	M12x1.25	G1/8	8	35.5	30	12	19	10	70

Vacuum components

* Compatible with compressed air tubes of the diameter in the table.