

- 1
- 2
- 3
- 4
- 5
- 6
- 7
- 8
- 9
- 10
- 11
- 12
- 13
- 14
- 15
- 16
- 17
- 18
- 19

MATERIAL

Glass-fibre reinforced polyamide based (PA) technopolymer, black colour, glossy finish.

STANDARD EXECUTIONS

- **VL.640-FP**: black-oxide steel hub, not drilled.
- **VL.640-FP-A-M**: black-oxide steel hub with threaded pass-through hole.
- **VL.640-FP-A**: black-oxide steel hub with H7 reamed pass-through hole.
- **VL.640-FP-B**: brass hub, not drilled.

SPECIAL EXECUTIONS ON REQUEST

Different RAL colours with zinc-plated steel hub.
Handwheels with cross holes according to EN 110 (see page A-16).

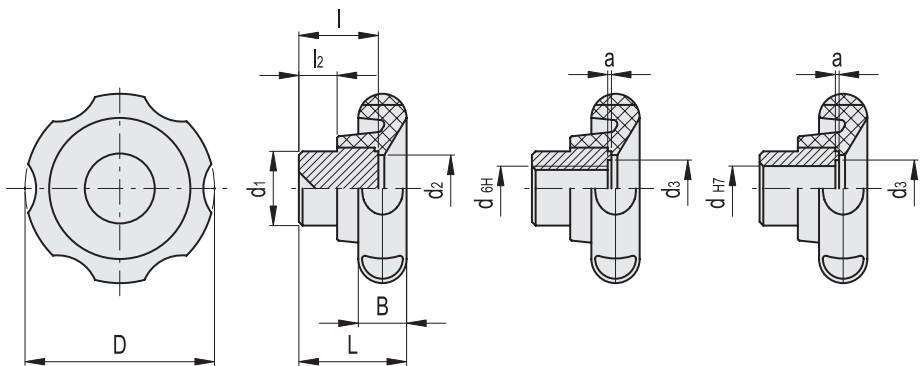


ELESA Original design

VL.640-FP
VL.640-FP-B

VL.640 FP-A-M

VL.640 FP-A



Conversion Table 1 mm = 0.039 inch	
D	
mm	inch
50	1.97
61	2.40
70	2.76
80	3.15

VL.640-FP

Code	Description	D	L	B	d1	d2	l	l2	⚖️
174111	VL.640/50 FP-A	50	29	13	20	18	21	10	72
174211	VL.640/60 FP-A	61	30	16	25	24	23	11	126
174311	VL.640/70 FP-A	70	33	18	30	30	25	12	190
174411	VL.640/80 FP-A	80	40	19	35	34	30	15	300

VL.640-FP-A-M

Code	Description	D	d6H	L	B	d1	d2	d3	l	l2	a	⚖️
174141	VL.640/50 FP-A-M8	50	M8	29	13	20	18	-	21	10	-	68
174151	VL.640/50 FP-A-M10	50	M10	29	13	20	18	-	21	10	-	61
174241	VL.640/60 FP-A-M10	61	M10	30	16	25	24	18.1	23	11	0.8	117
174251	VL.640/60 FP-A-M12	61	M12	30	16	25	24	18.1	23	11	0.8	111
174341	VL.640/70 FP-A-M12	70	M12	33	18	30	30	18.1	25	12	0.8	175
174441	VL.640/80 FP-A-M14	80	M14	40	19	35	34	18.1	30	15	0.8	274
174451	VL.640/80 FP-A-M16	80	M16	40	19	35	34	18.1	30	15	0.8	260

METRIC

VL.640-FP-A

Code	Description	D	dH7	L	B	d1	d2	d3	l	l2	a	⚖️
174121	VL.640/50 FP-A-8	50	8	29	13	20	18	-	21	10	-	65
174131	VL.640/50 FP-A-10	50	10	29	13	20	18	-	21	10	-	60
174221	VL.640/60 FP-A-10	61	10	30	16	25	24	15.2	23	11	0.8	114
174231	VL.640/60 FP-A-12	61	12	30	16	25	24	18.1	23	11	0.8	110
174321	VL.640/70 FP-A-12	70	12	33	18	30	30	18.1	25	12	0.8	170
174331	VL.640/70 FP-A-14	70	14	33	18	30	30	21.4	25	12	1.5	160
174421	VL.640/80 FP-A-14	80	14	40	19	35	34	18.1	30	15	0.8	270
174431	VL.640/80 FP-A-16	80	16	40	19	35	34	21.4	30	15	1.5	255

VL.640-FP-B

Code	Description	D	L	B	d1	d2	l	l2	⚖️
174161	VL.640/50 FP-B	50	29	13	20	18	21	10	72
174261	VL.640/60 FP-B	61	30	16	25	24	23	11	126
174361	VL.640/70 FP-B	70	33	18	30	30	25	12	190
174461	VL.640/80 FP-B	80	40	19	35	34	30	15	300