

- 1
- 2
- 3
- 4
- 5
- 6
- 7
- 8
- 9
- 10
- 11
- 12
- 13
- 14
- 15

## BRACKET

Glass-fibre reinforced polyamide based (PA) technopolymer, black colour, matte finish.

## BUSHINGS AND WASHERS

AISI 304 stainless steel.

## BEARING

High quality with traceability codes. Chrome steel.

## LUBRICATOR

Nickel-plated brass.

## PACKING RINGS

NBR rubber.

## COVER

Glass-fibre reinforced polypropylene based (PP) technopolymer, RAL 7015 grey colour, matte finish.

Closed cover for head bracket or for pass-through shafts.

## STANDARD EXECUTIONS

- **UCF-T**: head bracket with closed cover.
- **UCF-P**: bracket for pass-through shaft with drilled cover and NBR rubber packing ring for rotating shafts.

## FEATURES AND APPLICATIONS

Overall dimensions are in compliance with ISO 3228.

A system of completely sealed packing rings assures the protection of the bearing from dirt ingress.

Max shaft misalignment = 2,5°.

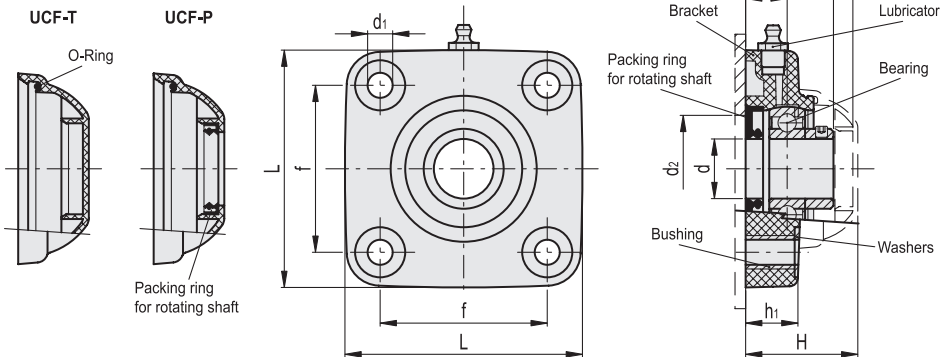
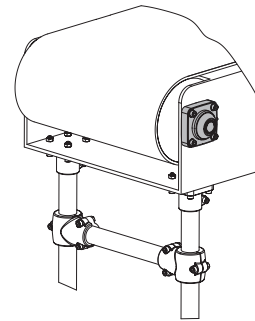
## INSTRUCTIONS OF USE

Assembly with shafts without end stops. For optimum operation, we recommend periodic lubrication with a common grease resistant to high temperatures and oxidation.

## SPECIAL EXECUTIONS ON REQUEST

- AISI 440C stainless steel bearing.
- Bearing in metric sizes.
- Brackets for shafts with diameters in different sizes.
- Brackets in antibacterial material or in polypropylene based (PP) technopolymer, packing rings and oil seal type VITON®\*.

\* Registered trademark by DuPont Dow Elastomers.



INCH

Code	Description	d	d1	d2 min	d2 max	H	L	f	h1	h2	h3	h4	Bearing static load [lbf]	Bearing dynamic load [lbf]	Bracket load [lbf]	
90419551	UCF.205-A-1-T	1.000	0.41	1.77	1.97	1.93	3.9	2.76	0.87	1.42	1.85	0.67	1568	3136	3808	0.98
90419561	UCF.206-A-1¼-T	1.250	0.41	1.97	2.36	2.2	4.45	3.27	1.02	1.61	2.13	0.79	2464	4256	3808	1.13
90419531	UCF.205-A-1-P	1.000	0.41	1.77	1.97	1.93	3.9	2.76	0.87	1.42	-	0.67	1568	3136	3808	1
90419541	UCF.206-A-1¼-P	1.250	0.41	1.97	2.36	2.2	4.45	3.27	1.02	1.61	-	0.79	2464	4256	3808	1.14