

- 1
- 2
- 3
- 4
- 5
- 6
- 7
- 8
- 9
- 10
- 11
- 12
- 13
- 14
- 15
- 16
- 17
- 18
- 19

MATERIAL

Polyamide based (PA) technopolymer, black colour RAL 9005 (C9) or orange colour RAL 2004 (C2), matte finish.

PACKING RINGS

Two NBR synthetic rubber O-rings.

FLAT DIPSTICK

Flat section phosphatised steel.
On request and for sufficient quantities dipstick can be supplied in different lengths and/or complete with MAX-MIN level lines.

STANDARD EXECUTIONS

- **TP-C+a**: without side hole.
- **TP-CF+a**: with side breather hole.

MAXIMUM CONTINUOUS WORKING TEMPERATURE

100°C.

GRAPHIC SYMBOL "FILL"

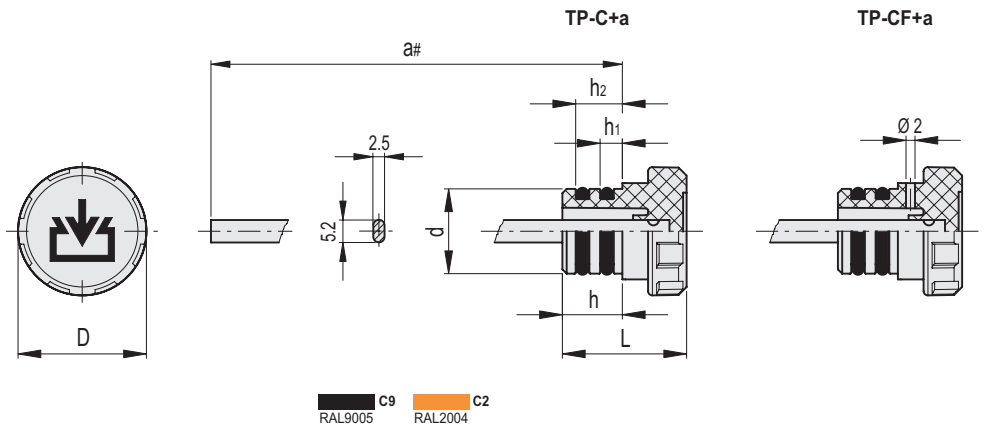
According to DIN regulations.

MOUNTING

Push-fit avoids the need to screw/unscrew.



ELESA Original design



Conversion Table	
1 mm = 0.039 inch	
d+0.2	
mm	inch
18	0.71
20	0.79
26	1.02

TP-C+a

METRIC

Code	Description	D	d	a#	h	L	h1	h2	Mounting hole d+0.2	⚖
59855-R-C9	TP-C.18+a-C9	26	18	189	13	28	4.5	10	18	31
59855-R-C2	TP-C.18+a-C2	26	18	189	13	28	4.5	10	18	31
59865-R-C9	TP-C.20+a-C9	30	20	189	14	29	5	11	20	15
59865-R-C2	TP-C.20+a-C2	30	20	189	14	29	5	11	20	15
59885-R-C9	TP-C.26+a-C9	35	26	189	14	29.5	5	11	26	39
59885-R-C2	TP-C.26+a-C2	35	26	189	14	29.5	5	11	26	39

TP-CF+a

METRIC

Code	Description	D	d	a#	h	L	h1	h2	Mounting hole d+0.2	⚖
59895-R-C9	TP-CF.18+a-C9	26	18	189	13	28	4.5	10	18	31
59895-R-C2	TP-CF.18+a-C2	26	18	189	13	28	4.5	10	18	31
59905-R-C9	TP-CF.20+a-C9	30	20	189	14	29	5	11	20	15
59905-R-C2	TP-CF.20+a-C2	30	20	189	14	29	5	11	20	15
59925-R-C9	TP-CF.26+a-C9	35	26	189	14	29.5	5	11	26	39
59925-R-C2	TP-CF.26+a-C2	35	26	189	14	29.5	5	11	26	39

You can choose lengths other than the standard option and/or add MAX-MIN level markings. To request customization, select an item and follow the wizard on the web.