

- 1
- 2
- 3
- 4
- 5
- 6
- 7
- 8
- 9
- 10
- 11
- 12
- 13
- 14
- 15
- 16
- 17
- 18

MATERIAL

Glass-fibre reinforced polypropylene based (PP) technopolymer, suitable for contact with acid or base liquids, RAL 7024 grey colour. Produced from FDA compliant raw material (FDA CFR.21 and EU 10/2011).

PACKING RING

EPDM synthetic rubber O-Ring, violet colour. In addition to guaranteeing the OR-ring retention, the seat for the housing allows an optimal seal even with minimum tightening torques.

MAXIMUM CONTINUOUS WORKING TEMPERATURE

80°C.

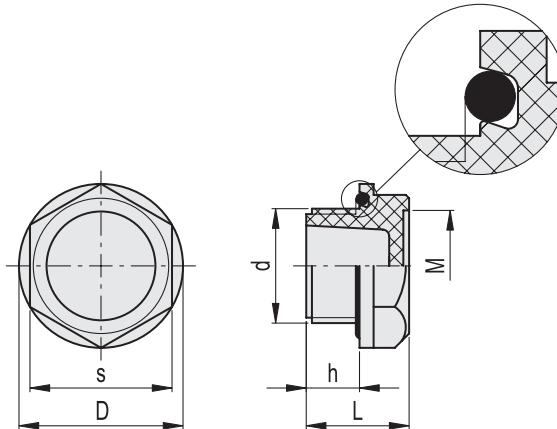
TECHNICAL DATA

In laboratory tests carried out with mineral oil type CB68 (according to ISO 3498) at 23°C for a limited period of time, the values of pressure resistance were much higher than 100 bar. In any case, we suggest to check the suitability of the product with regard to the fluid nature, operating temperature and application type under the actual working conditions.



ELESA Original design

Conversion Table	
1 mm = 0.039 inch	
D	
mm	inch
22	0.86
25.5	0.99
32	1.25
37	1.44
44	1.72



METRIC

Code	Description	d	h	s	D	L	M	⚖️
158426	TNR-PP.16x1.5	M16x1.5	10	22	25.5	18	17	6
158427	TNR-PP.20x1.5	M20x1.5	11	27	32	20	20.5	8
158435	TNR-PP.1/4	G 1/4	9	19	22	17	15	4
158436	TNR-PP.3/8	G 3/8	9	22	25.5	18	17	6
158437	TNR-PP.1/2	G 1/2	11	27	32	20	20.5	8
158438	TNR-PP.3/4	G 3/4	12	32	37	22	25	14
158439	TNR-PP.1	G 1	13	38	44	23	31	18