

- 1
- 2
- 3
- 4
- 5
- 6
- 7
- 8
- 9
- 10
- 11
- 12
- 13
- 14
- 15
- 16
- 17
- 18
- 19

MATERIAL

Glass-fibre reinforced polyamide based (PA) technopolymer, black colour, plain finish (Ra < 0.8 µm).

PACKING RING

NBR synthetic rubber flat washer.

MAXIMUM CONTINUOUS WORKING TEMPERATURE

100°C.

FEATURES AND APPLICATIONS

The design without a top cavity recesses prevents the deposit of liquids, oils, prevents unhealthy residues from depositing, ensuring maximum ease of cleaning.

Particularly suitable for applications on machines and equipment whose parts must be frequently cleaned by using water jets or steam.

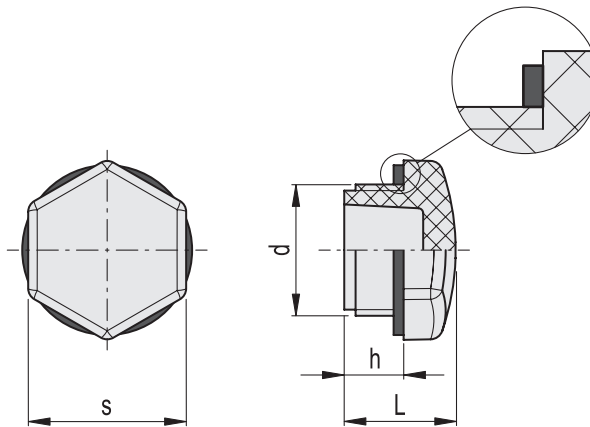
TECHNICAL DATA

The tightening torque indicated in the table guarantees an optimal tightness, keeping the packing ring in the correct position.



ELESA Original design

Conversion Table	
1 mm = 0.039 inch	
s	
mm	inch
22	0.86
26	1.01
32	1.25
38	1.48



METRIC

Code	Description	s	d	h	L	Tightening torque [Nm]	⚖️
59607	TNC.M16x1.5	22	M16x1.5	9	17	8+10	5
59608	TNC.M18x1.5	26	M18x1.5	11	20	8+10	8
59609	TNC.M20x1.5	26	M20x1.5	11	20	8+10	9
59610	TNC.M22x1.5	32	M22x1.5	12	22.5	10+12	14
59613	TNC.M35x1.5	38	M35x1.5	13	25	15+18	22
59626	TNC.G3/8	22	G3/8	9	17	8+10	6
59627	TNC.G1/2	26	G1/2	11	20	8+10	10
59628	TNC.G3/4	32	G3/4	12	22.5	10+12	15
59629	TNC.G1	38	G1	13	25	12+15	22