

**STANDARD EXECUTIONS**

Material: zinc-plated steel:

- **TLW-EG**: with eyelet-shaped pulling hook and matching part.
- **TLW-ET**: with T-shaped pulling hook and matching part.

Material: body, tie rod and matching part in AISI 304 stainless steel, pins in AISI 303 stainless steel:

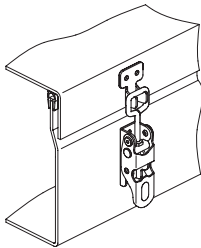
- **TLW-EGX**: with eyelet-shaped pulling hook and matching part.
- **TLW-ETX**: with T-shaped pulling hook and matching part.

**FEATURES AND APPLICATIONS**

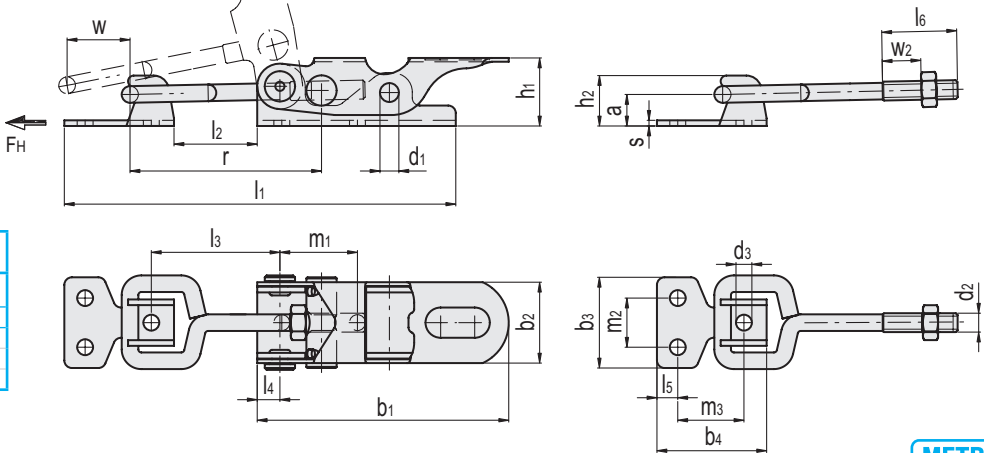
TLW hook clamps ensure perfect closure of a cover.

The position of the pulling hook can be adjusted in length according to the specific applications and for fine adjustment.

When the lever is closed, the eccentric configuration of the rod pin causes the latch to move towards the stop. At the end of the lever movement, the rod pin has passed the eccentric dead point, and in this way keeps the toggle latch automatically closed.



**TLW-EG**  
**TLW-EGX**



Conversion Table	
1 mm = 0.039 inch	
l1	
mm	inch
117.5	4.63
155.5	6.12
189.5	7.46

**TLW-EG**

**METRIC**

Code	Description	a	b1	b2	b3	b4	d1	d2	d3	h1	h2	l1	l2 min	l3 min	l4	l5	l6	m1	m2	m3	r (w2=0)	s	w Stroke	w2	FH* [N]	Δ
GG.AE1010	TLW-E1G	8.3	66.5	21.5	24	29	5	M5	4.2	18	13.3	117.5	22	34.5	6.5	5.5	20	20	13	17.5	51	1.5	12	7	1000	63
GG.AE2010	TLW-E2G	10	85.5	27.5	32	42	6	M6	5.2	25	16.4	155.5	28	44	8	10	25	24.5	15	24	64	2	14	11	2000	142
GG.AE3010	TLW-E3G	12.7	104.5	31.5	38	52	8	M8	6.5	32	20.7	189.5	33	54	11	12.5	30	30	20	29.5	79.5	2.5	18	12.5	3000	270

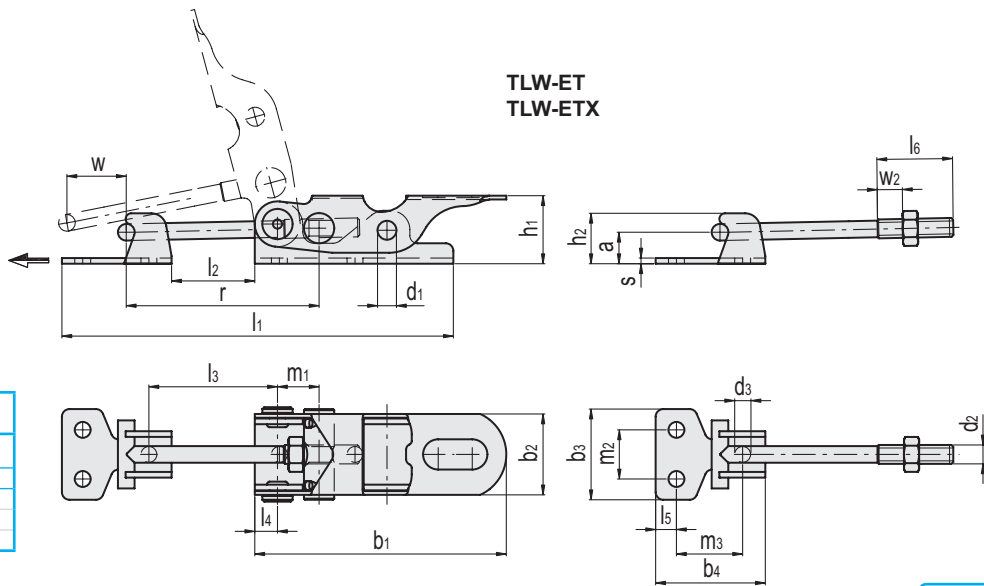
**TLW-EGX**

**INOX**  
STAINLESS  
STEEL

**METRIC**

Code	Description	a	b1	b2	b3	b4	d1	d2	d3	h1	h2	l1	l2 min	l3 min	l4	l5	l6	m1	m2	m3	r (w2=0)	s	w Stroke	w2	FH* [N]	Δ
GG.ES1010	TLW-E1GX	8.3	66.5	21.5	24	29	5	M5	4.2	18	13.3	117.5	22	34.5	6.5	5.5	20	20	13	17.5	51	1.5	12	7	1000	63
GG.ES2010	TLW-E2GX	10	85.5	27.5	32	42	6	M6	5.2	25	16.4	155.5	28	44	8	10	25	24.5	15	24	64	2	14	11	2000	142
GG.ES3010	TLW-E3GX	12.7	104.5	31.5	38	52	8	M8	6.5	32	20.7	189.5	33	54	11	12.5	30	30	20	29.5	79.5	2.5	18	12.5	3000	270

\* FH: holding force.



Conversion Table	
1 mm = 0.039 inch	
↓	
mm	inch
117.5	4.63
155.5	6.12
189.5	7.46

TLW-ET

METRIC

Code	Description	a	b1	b2	b3	b4	d1	d2	d3	h1	h2	l1	l2 min	l3 min	l4	l5	l6	m1	m2	m3	r (w2=0)	s	w Stroke	w2	FH* [N]	Δ
GG.AE1020	TLW-E1T	8.3	66.5	21.5	24	29	5	M5	4.2	18	13.3	117.5	22	34.5	6.5	5.5	20	20	13	17.5	51	1.5	12	7	1000	61
GG.AE2020	TLW-E2T	10	85.5	27.5	32	42	6	M6	5.2	25	16.4	155.5	28	44	8	10	25	24.5	15	24	64	2	14	11	2000	135
GG.AE3020	TLW-E3T	12.7	104.5	31.5	38	52	8	M8	6.5	32	20.7	189.5	33	54	11	12.5	30	30	20	29.5	79.5	2.5	18	12.5	3000	256

TLW-ETX

INOX STAINLESS STEEL METRIC

Code	Description	a	b1	b2	b3	b4	d1	d2	d3	h1	h2	l1	l2 min	l3 min	l4	l5	l6	m1	m2	m3	r (w2=0)	s	w Stroke	w2	FH* [N]	Δ
GG.ES1020	TLW-E1TX	8.3	66.5	21.5	24	29	5	M5	4.2	18	13.3	117.5	22	34.5	6.5	5.5	20	20	13	17.5	51	1.5	12	7	1000	61
GG.ES2020	TLW-E2TX	10	85.5	27.5	32	42	6	M6	5.2	25	16.4	155.5	28	44	8	10	25	24.5	15	24	64	2	14	11	2000	135
GG.ES3020	TLW-E3TX	12.7	104.5	31.5	38	52	8	M8	6.5	32	20.7	189.5	33	54	11	12.5	30	30	20	29.5	79.5	2.5	18	12.5	3000	256

\* FH: holding force.

