

- 1
- 2
- 3
- 4
- 5
- 6
- 7
- 8
- 9
- 10
- 11
- 12
- 13
- 14
- 15
- 16
- 17
- 18

**MATERIAL**

Glass-fibre reinforced polyamide based (PA) technopolymer, black colour, matte finish.

**PACKING RING**

NBR synthetic rubber O-Ring.

In addition to guaranteeing the OR-ring retention, the seat for the housing allows an optimal seal even with minimum tightening torques.

**MAXIMUM CONTINUOUS WORKING TEMPERATURE**

100°C.

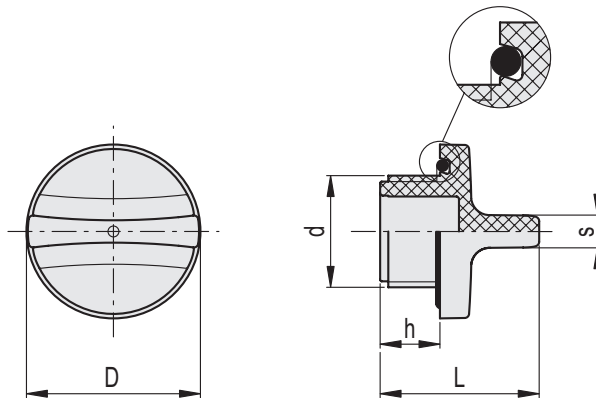
**TECHNICAL DATA**

In laboratory tests carried out with mineral oil type CB68 (according to ISO 3498) at 23°C for a limited period of time, the values of pressure resistance were much higher than 100 bar.

In any case, we suggest to check the suitability of the product with regard to the fluid nature, operating temperature and application type under the actual working conditions.



ELESA Original design



Conversion Table	
1 mm = 0,039 inch	
D	
mm	inch
32	1.26
37	1.46
44	1.73

METRIC | BSP

Code	Description	d	h	s	D	L	⚖️
158197	THR.1/2	G 1/2	11	4	32	29	10
158198	THR.3/4	G 3/4	12	5	37	32.5	18
158199	THR.1	G 1	13	6	44	36	25