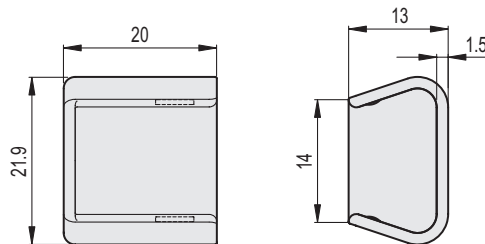
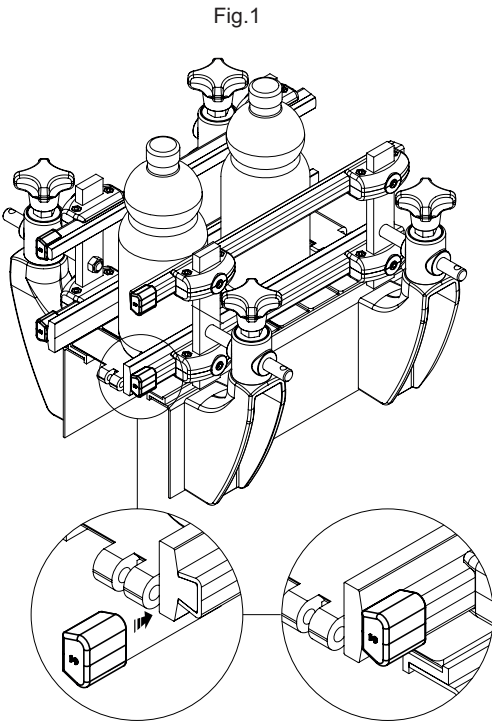


MATERIAL

Polypropylene based (PP) technopolymer, grey colour, matte finish.

FEATURES AND APPLICATIONS

The TGLT end cap is used to close the ends of the linear side guides. GLP, GLP-HT, GLR, GLS, GLT (Fig. 1). Press-fit assembly



Code	Description	⚖
419781	TGLT-13-22	2