

- 1
- 2
- 3
- 4
- 5
- 6
- 7
- 8
- 9
- 10
- 11
- 12
- 13
- 14
- 15
- 16
- 17
- 18
- 19

MATERIAL

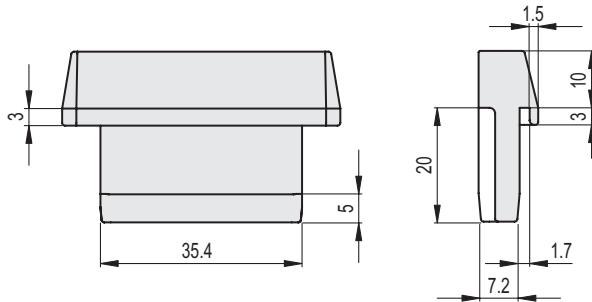
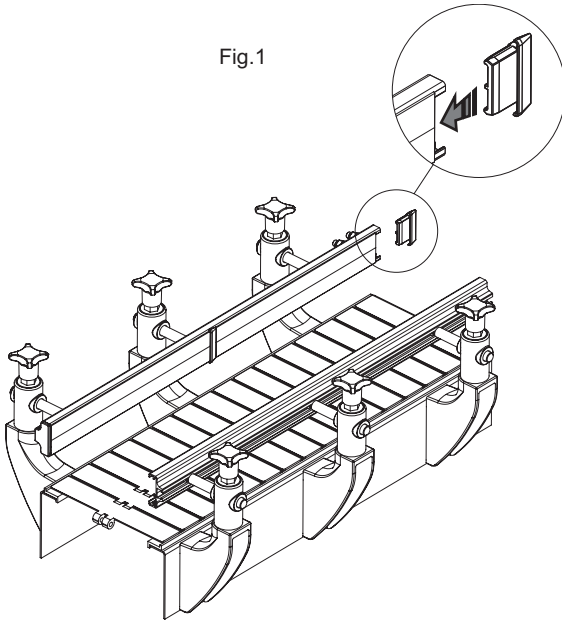
Polyamide-based (PA) technopolymer, with self-lubricating additive, grey colour.

FEATURES AND APPLICATIONS

The TGLF end cap is used to close the ends of the side guides. GLF and GCF (Fig. 1). The self-lubricating additive guarantees maximum rolling resistance of the product.



Fig.1



Levelling feet and supports

Code	Description	
419779	TGLF-36-30	8