

TCC-TS | T-shaped connecting clamps

Technopolymer



- 1
- 2
- 3
- 4
- 5
- 6
- 7
- 8
- 9
- 10
- 11
- 12
- 13
- 14
- 15
- 16
- 17
- 18
- 19

CLAMP

Glass-fibre reinforced polyamide based (PA) technopolymer, RAL 9005 (C9) black colour or grey RAL 7040 (C33) colour, resistant to UV rays, matte finish.

SCREWS AND NUTS (SUPPLIED)

Cylindrical-head screw with hexagon socket in AISI 304 stainless steel with anti-seizure treatment.

Self-locking nuts in AISI 304 stainless steel.

FEATURES

Clamps for tubes with a diameter of 18 ± 0.2 and 30 ± 0.2 mm.

For smaller diameter tubes, the hole reduction sleeve TCC-A can be used (ordered separately).

The "s" grub screws may be replaced by the kit TCC-KS.

TECHNICAL DATA

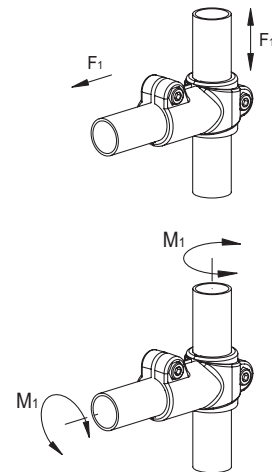
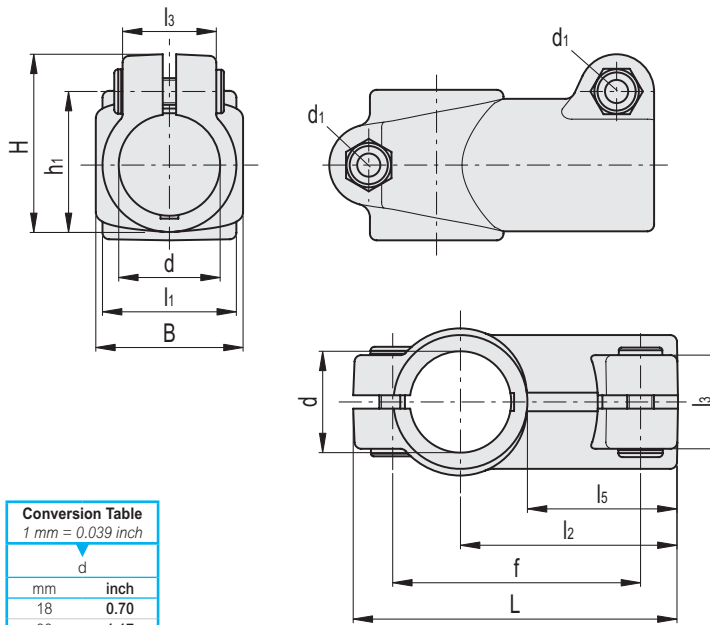
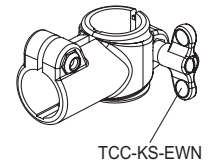
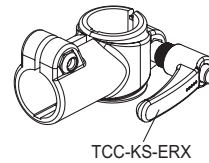
The resistance values shown in the table were measured during laboratory tests at ambient temperature with the screws tightened to the suggested torque "C#".

ACCESSORIES ON REQUEST (TO BE ORDERED SEPARATELY)

- TCC-A (see page -): reduction sleeves.
- TCC-KS (see page -): clamping kit.
- TCC-KV (see page -): screws and clamping nuts.
- GN 990 (see page -): connecting tubes.



ELESA Original design



| Conversion Table | |
|-------------------|------|
| 1 mm = 0.039 inch | |
| d | |
| mm | inch |
| 18 | 0.70 |
| 30 | 1.17 |

■ C9 RAL9005 ■ C33 RAL7040



| Code | Description | d | L | B | H | f | h1 | l1 | l2 | l3 | l5 | s | C# [Nm] | F1* [N] | M1** [Nm] | |
|------------|------------------|----|----|----|----|----|----|------|------|------|------|----|---------|---------|-----------|-----|
| 600151-C9 | TCC-TS-18-18-C9 | 18 | 65 | 29 | 34 | 49 | 26 | 26.5 | 43.5 | 20.5 | 30.5 | M6 | 5 | 1450 | 14 | 42 |
| 600151-C33 | TCC-TS-18-18-C33 | 18 | 65 | 29 | 34 | 49 | 26 | 26.5 | 43.5 | 20.5 | 30.5 | M6 | 5 | 1450 | 14 | 42 |
| 600251-C9 | TCC-TS-30-30-C9 | 30 | 96 | 44 | 53 | 74 | 42 | 40.5 | 64.5 | 28 | 45.5 | M8 | 12 | 1650 | 17 | 113 |
| 600251-C33 | TCC-TS-30-30-C33 | 30 | 96 | 44 | 53 | 74 | 42 | 40.5 | 64.5 | 28 | 45.5 | M8 | 12 | 1650 | 17 | 113 |

Suggested torque for screw assembly.

* Resistance to tube pull out

** Resistance to tube rotation

Tube connectors

2



10/2024

Models all rights reserved in accordance with the law. Always mention the source when reproducing our drawings and photos.