

- 1
- 2
- 3
- 4
- 5
- 6
- 7
- 8
- 9
- 10
- 11
- 12
- 13
- 14
- 15
- 16
- 17
- 18

CLAMP

Glass-fibre reinforced polyamide based (PA) technopolymer, RAL 5005 blue colour, matte finish.

Produced from FDA compliant raw material (FDA CFR.21 and EU 10/2011).

SCREWS AND NUTS (SUPPLIED)

Cylindrical-head screw with hexagon socket in AISI 304 stainless steel with anti-seizure treatment.

Self-locking nuts in AISI 304 stainless steel.

FEATURES AND APPLICATIONS

Clamps for tubes with a diameter of 18 ± 0.2 and 30 ± 0.2 mm.

For smaller diameter tubes, the hole reduction sleeve TCC-A can be used (ordered separately).

The "s" grub screws may be replaced by the kit TCC-KS.

The RAL 5005 blue colour is easily visible in case of accidental food contamination.

Particularly suitable for applications in the food and pharmaceutical industries.

TECHNICAL DATA

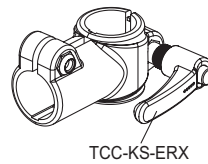
The resistance values shown in the table were measured during laboratory tests at ambient temperature with the screws tightened to the suggested torque "C#".

ACCESSORIES ON REQUEST (TO BE ORDERED SEPARATELY)

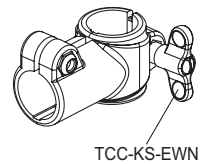
- TCC-A (see page -): reduction sleeves.
- TCC-KS (see page -): clamping kit.
- TCC-KV (see page -): screws and clamping nuts.
- GN 990 (see page -): connecting tubes.



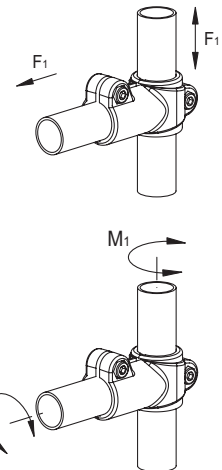
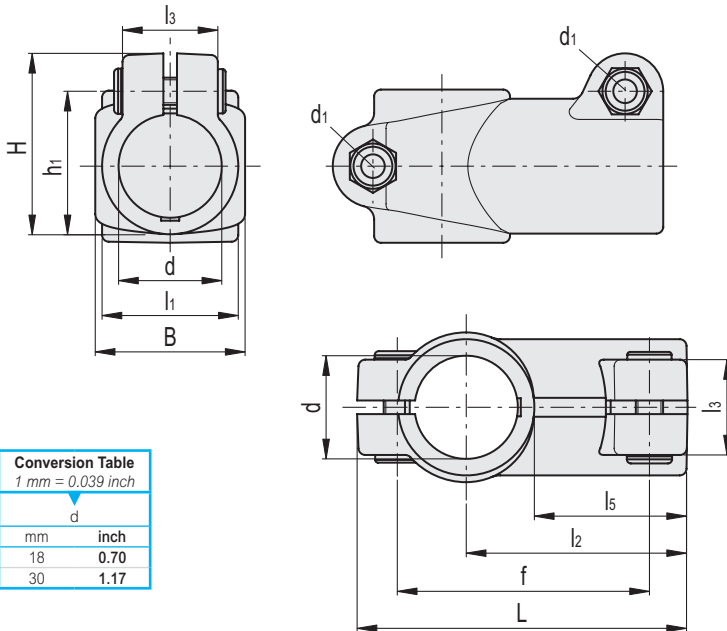
ELESA Original design



TCC-KS-ERX



TCC-KS-EWN



| Conversion Table | |
|-------------------|------|
| 1 mm = 0.039 inch | |
| d | |
| mm | inch |
| 18 | 0.70 |
| 30 | 1.17 |

| Code | Description | d | L | B | H | f | h1 | l1 | l2 | l3 | l5 | s | C# [Nm] | F1* [N] | M1** [Nm] | ⚖️ |
|--------|-----------------|----|----|----|----|----|----|------|------|------|------|----|---------|---------|-----------|-----|
| 191151 | TCC-TS-18-18-VD | 18 | 65 | 29 | 34 | 49 | 26 | 26.5 | 43.5 | 20.5 | 30.5 | M6 | 5 | 1450 | 14 | 42 |
| 191251 | TCC-TS-30-30-VD | 30 | 96 | 44 | 53 | 74 | 42 | 40.5 | 64.5 | 27 | 45.5 | M8 | 12 | 1650 | 17 | 113 |

Suggested torque for screw assembly.

* Resistance to tube pull out

** Resistance to tube rotation