

- 1
- 2
- 3
- 4
- 5
- 6
- 7
- 8
- 9
- 10
- 11
- 12
- 13
- 14
- 15
- 16
- 17
- 18
- 19

**CLAMP**

Glass-fibre reinforced polyamide based (PA) technopolymer, RAL 9005 (C9) black colour or grey RAL 7040 (C33) colour, resistant to UV rays, matte finish.

**SCREW AND NUT (SUPPLIED)**

Cylindrical-head screws with hexagon socket in AISI 304 stainless steel with anti-seizure treatment.

Self-locking nut in AISI 304 stainless steel.

**FEATURES**

Clamps for tubes with a diameter of  $18 \pm 0.2$  and  $30 \pm 0.2$  mm.

For smaller diameter tubes, the hole reduction sleeve TCC-A can be used (ordered separately).

The "s" grub screw may be replaced by the kit TCC-KS.

**TECHNICAL DATA**

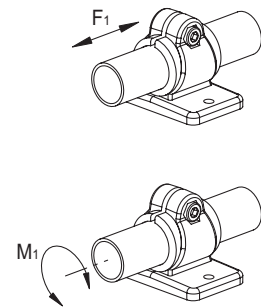
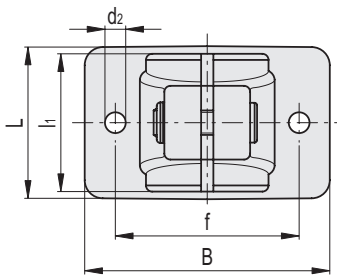
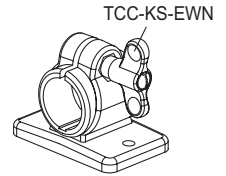
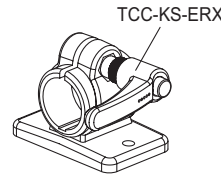
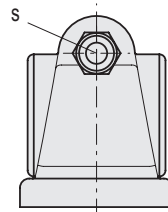
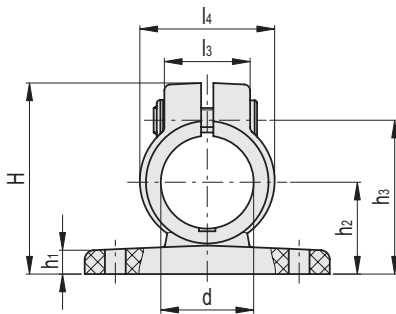
The resistance values shown in the table were measured during laboratory tests at ambient temperature with the screws tightened to the suggested torque "C#".

**ACCESSORIES ON REQUEST (TO BE ORDERED SEPARATELY)**

- TCC-A (see page -): reduction sleeves.
- TCC-KS (see page -): clamping kit.
- TCC-KV (see page -): screws and clamping nuts.
- GN 990 (see page -): connecting tubes.



ELESA Original design



**Conversion Table**  
1 mm = 0.039 inch

d	
mm	inch
18	0.70
30	1.17

**C9** RAL9005    **C33** RAL7040

INOX STAINLESS STEEL    METRIC

Code	Description	d	L	B	H	d2	f±0.2	h1	h2	h3	l1	l3	l4	s	C# [Nm]	F1* [N]	M1** [Nm]	⚖️
600141-C9	TCC-TB-18-C9	18	34.5	52	41	5.3	40	5	18	33.5	29	21	29	M6	5	1450	16	29
600141-C33	TCC-TB-18-C33	18	34.5	52	41	5.3	40	5	18	33.5	29	21	29	M6	5	1450	16	29
600241-C9	TCC-TB-30-C9	30	49.5	80	61.5	6.5	60	8	30	50	44.5	27	44	M8	12	1800	27	84
600241-C33	TCC-TB-30-C33	30	49.5	80	61.5	6.5	60	8	30	50	44.5	27	44	M8	12	1800	27	84

# Suggested torque for screw assembly.

\* Resistance to tube pull out

\*\* Resistance to tube rotation