

- 1
- 2
- 3
- 4
- 5
- 6
- 7
- 8
- 9
- 10
- 11
- 12
- 13
- 14
- 15
- 16
- 17
- 18
- 19

CLAMP

Glass-fibre reinforced polyamide based (PA) technopolymer, RAL 9005 (C9) black colour or grey RAL 7040 (C33) colour, resistant to UV rays, matte finish.

SCREWS AND NUTS (SUPPLIED)

Cylindrical-head screw with hexagon socket in AISI 304 stainless steel with anti-seizure treatment.

Self-locking nuts in AISI 304 stainless steel.

FEATURES

Clamps for tubes with a diameter of 18 ± 0.2 and 30 ± 0.2 mm.

For smaller diameter tubes, the hole reduction sleeve TCC-A can be used (ordered separately).

The "s" grub screws may be replaced by the kit TCC-KS.

TECHNICAL DATA

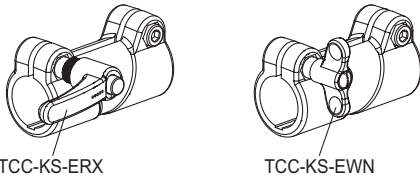
The resistance values shown in the table were measured during laboratory tests at ambient temperature with the screws tightened to the suggested torque "C#".

ACCESSORIES ON REQUEST (TO BE ORDERED SEPARATELY)

- TCC-A (see page -): reduction sleeves.
- TCC-KS (see page -): clamping kit.
- TCC-KV (see page -): screws and clamping nuts.
- GN 990 (see page -): connecting tubes.

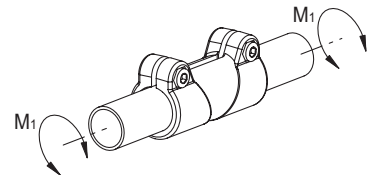
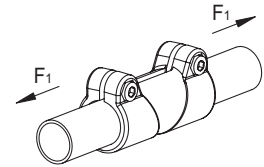
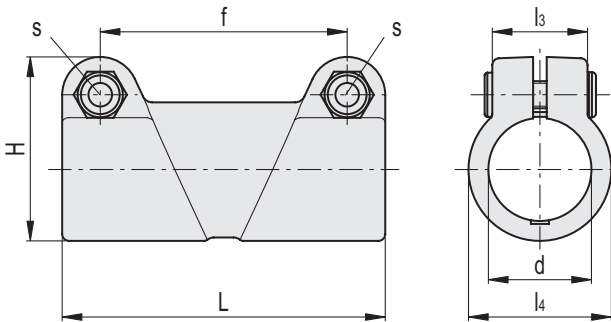


ELESA Original design



TCC-KS-ERX

TCC-KS-EWN



Conversion Table

1 mm = 0.039 inch

d	
mm	inch
18	0.70
30	1.17

C9 RAL9005
 C33 RAL7040

Code	Description	d	L	H	f	l3	l4	s	C# [Nm]	F1* [N]	M1** [Nm]	⚖
600131-C9	TCC-SL-18-18-C9	18	64.5	35.5	48	20.5	29	M6	5	1100	13	45
600131-C33	TCC-SL-18-18-C33	18	64.5	35.5	48	20.5	29	M6	5	1100	13	45
600231-C9	TCC-SL-30-30-C9	30	94.5	53.5	72	27	42	M8	12	1400	25	116
600231-C33	TCC-SL-30-30-C33	30	94.5	53.5	72	27	42	M8	12	1400	25	116

Suggested torque for screw assembly.

* Resistance to tube pull out

** Resistance to tube rotation