

- 1
- 2
- 3
- 4
- 5
- 6
- 7
- 8
- 9
- 10
- 11
- 12
- 13
- 14
- 15
- 16
- 17
- 18
- 19

**MATERIAL**

- Polyamide based (PA) technopolymer.
- Cover: RAL 2004 orange, semi-matte finish, with graphic symbol "valve".
  - Threaded connector: black colour, semi-matte finish.
  - Zinc-plated steel sheet bayonet.

**PACKING RING**

NBR synthetic rubber.

**OVERPRESSURE VALVE**

Technopolymer with NBR synthetic rubber O-ring and stainless steel spring.  
Set at around 0.350 bar.

**SUCTION VALVE**

Technopolymer with NBR synthetic rubber O-ring and stainless steel spring. Set at around 0.030 bar.

**RING-SHAPED AIR FILTER**

"Tech-foam" polyurethane foam mesh (polyester base), air filtration 40 µ.

**FLAT DIPSTICK**

Phosphatised steel. On request dipstick can be supplied in different lengths and/or complete with MAX-MIN level lines.

**MAXIMUM CONTINUOUS WORKING TEMPERATURE**

100°C.

**FEATURES**

- The use of SFW-BA+a breather caps which create a pressure plenum chamber right above the oil level within tested limit conditions, in order to avoid any reservoir deformation, offers the following advantages:
- reduces reservoir air volume intake keeping clean oil and filter
  - improves suction pump action during working conditions reducing cavitation phenomenon
  - prevents fluid leakage when the system is part of a mobile unit
  - it reduces foam in fluid.



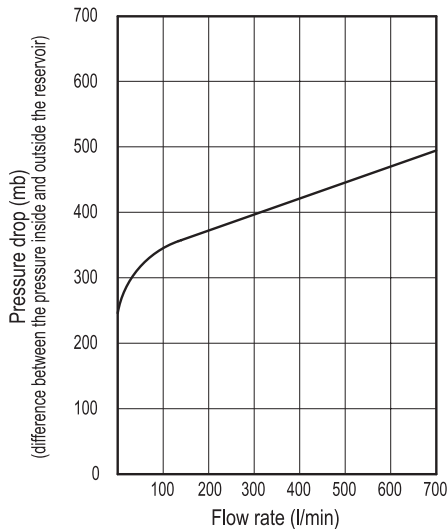
ELESA Original design

**TECHNICAL DATA**

Air flow rate for the different executions of breather caps can be obtained from the diagram on the basis of the difference of air pressure inside and outside the reservoir.

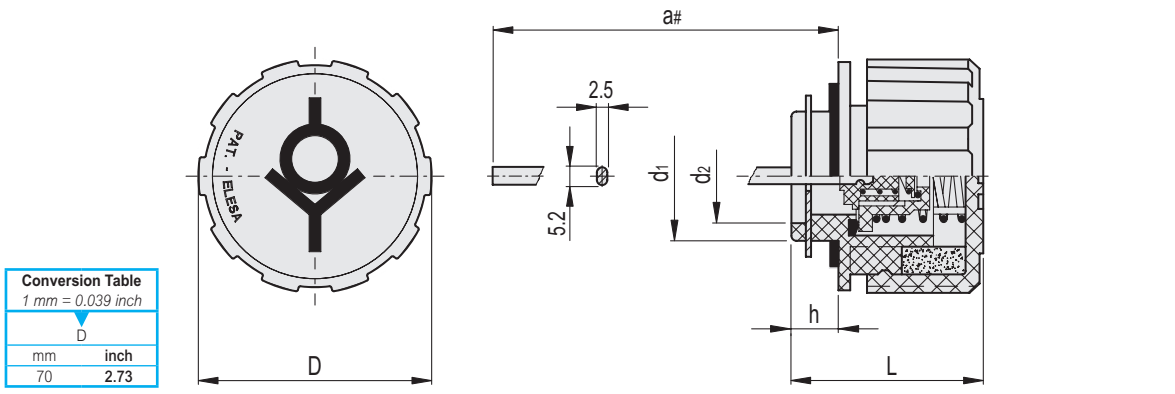
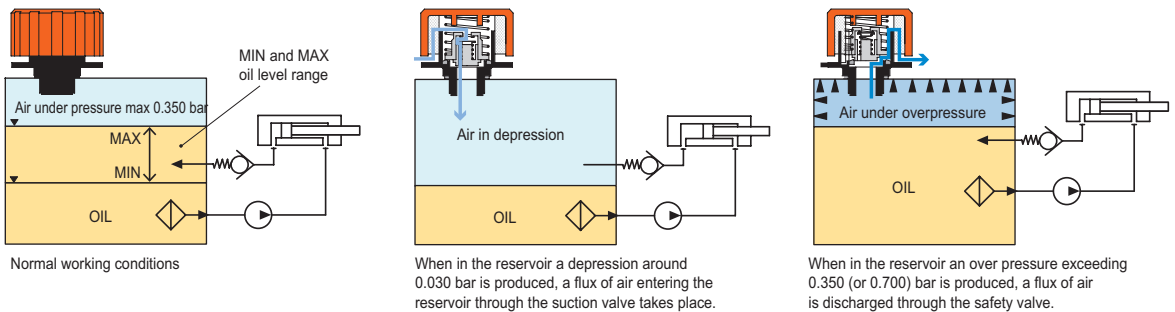
**SPECIAL EXECUTIONS ON REQUEST**

- Black colour cover.
- Overpressure valve set at 0.700 bar.



- 1
- 2
- 3
- 4
- 5
- 6
- 7
- 8
- 9
- 10
- 11
- 12
- 13
- 14
- 15
- 16
- 17
- 18
- 19

SFW. pressurised breather cap functioning in a hydraulic circuit



METRIC

Code	Description	D	a#	L	d1	d2	h	
54943	SFW.70-BA+F+a-350 mb	70	195	56	39	30	14	124

# You can choose lengths other than the standard option and/or add MAX-MIN level markings. To request customization, select an item and follow the wizard on the web.