

- 1
- 2
- 3
- 4
- 5
- 6
- 7
- 8
- 9
- 10
- 11
- 12
- 13
- 14
- 15
- 16
- 17
- 18
- 19

**MATERIAL**

Polyamide based (PA) technopolymer:  
 Cover: RAL 2004 orange, semi-matte finish, with graphic symbol "valve".  
 Threaded fitting with splash guard: black, semi-matte finish.

**PACKING RING**

NBR synthetic rubber flat washer.

**OVERPRESSURE VALVE**

Technopolymer with NBR synthetic rubber O-ring  
 Stainless steel spring, set at around 0.350 bar or 0.700 bar.

**MAXIMUM CONTINUOUS WORKING TEMPERATURE**

100° C.

**STANDARD EXECUTIONS**

- **SFV-AP-350MB**: valve opens when pressure exceeds 0.35 bar (set at 350 mb).
- **SFV-AP-700MB**: valve opens when pressure exceeds 0.700 bar (set at 700 mb).

**FEATURES AND APPLICATIONS**

SFV-AP valve breather caps are particularly suitable for all those applications (speed reducers, variators or compressors) when the internal air pressure must not exceed a certain value (350 or 700 mb). In these cases, the safety valve of the cap allows the expulsion of the exceeding air in the reservoir, thus re-establishing the pressure values for which the valve is set.  
 Valve (closed in normal pressure conditions) prevents dust from getting in and oil-losses.  
 SFV-AP breather caps are made with a special internal geometry which stops the leakage of the fluid to the outside, even in the most critical cases of strong fluid projections.

**TECHNICAL DATA**

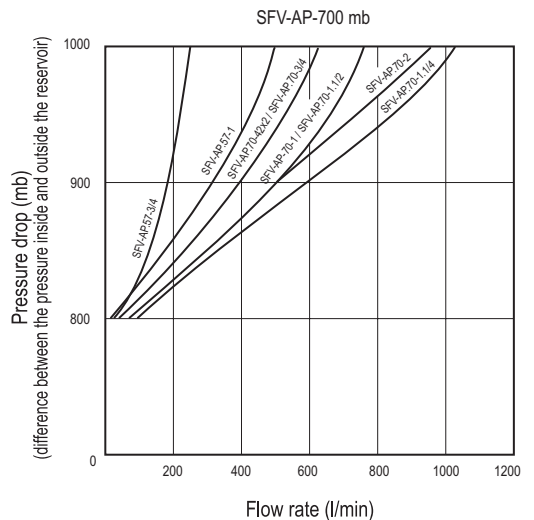
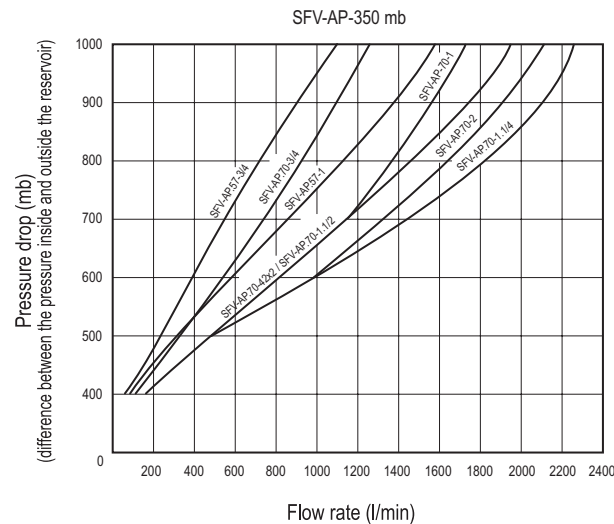
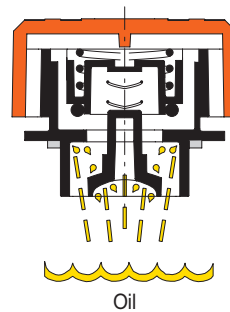
Air flow rate for the different executions of breather caps can be obtained from the diagram on the basis of the difference of air pressure inside and outside the reservoir.

**SPECIAL EXECUTIONS ON REQUEST**

- Black colour cover.
- Version with flat dipstick.

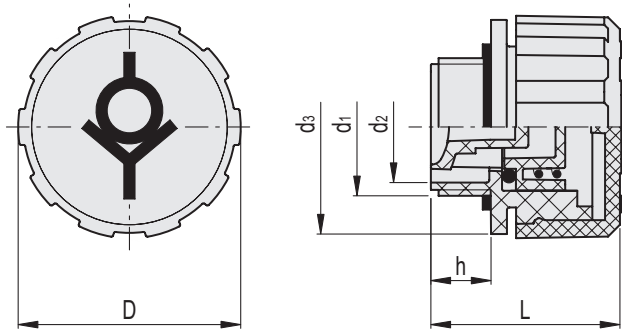


ELESA Original design





Conversion Table 1 mm = 0.039 inch	
D	
mm	inch
57	2.22
70	2.73



SFV-AP-350MB

METRIC

Code	Description	D	L	d1	d2	d3	h	⚖
54571	SFV-AP.57-G3/4-350MB	57	47.5	G 3/4	19	56	13	89
54573	SFV-AP.57-G1-350MB	57	47.5	G 1	26.5	56	13	90
54575	SFV-AP.70-M42x2-350MB	70	59	M42x2	33.5	68.5	17	93.5
54577	SFV-AP.70-G3/4-350MB	70	59	G 3/4	20.5	68.5	17	89
54579	SFV-AP.70-G1-350MB	70	59	G 1	26.5	68.5	17	90
54581	SFV-AP.70-G1.1/4-350MB	70	59	G 1.1/4	33.5	68.5	17	95.5
54583	SFV-AP.70-G1.1/2-350MB	70	59	G 1.1/2	40.5	68.5	17	93.5
54585	SFV-AP.70-G2-350MB	70	59	G 2	51	68.5	17	99.5

SFV-AP-700MB

Code	Description	D	L	d1	d2	d3	h	⚖
54572	SFV-AP.57-G3/4-700MB	57	47.5	G 3/4	19	56	13	89.5
54574	SFV-AP.57-G1-700MB	57	47.5	G 1	26.5	56	13	90.5
54576	SFV-AP.70-M42x2-700MB	70	59	M42x2	33.5	68.5	17	94
54578	SFV-AP.70-G3/4-700MB	70	59	G 3/4	20.5	68.5	17	89.5
54580	SFV-AP.70-G1-700MB	70	59	G 1	26.5	68.5	17	90.5
54582	SFV-AP.70-G1.1/4-700MB	70	59	G 1.1/4	33.5	68.5	17	96
54584	SFV-AP.70-G1.1/2-700MB	70	59	G 1.1/2	40.5	68.5	17	94
54586	SFV-AP.70-G2-700MB	70	59	G 2	51	68.5	17	100