

- 1
- 2
- 3
- 4
- 5
- 6
- 7
- 8
- 9
- 10
- 11
- 12
- 13
- 14
- 15
- 16
- 17
- 18
- 19

COVER

Polyamide-based (PA) technopolymer, black colour RAL 9005, matte finish, laser engraved graphic symbols.

THREADED FITTING

Polyamide-based (PA) technopolymer, with splash guard and hexagon nut, black colour, semi-matte finish.

PACKING RING

NBR synthetic rubber flat washer.

AIR FILTER

Polyester with a filtration rate of 3µm (efficiency > 98%).

MAXIMUM CONTINUOUS WORKING TEMPERATURE

100°C.

FEATURES

SFP-AF caps (registered design) are made with a special internal geometry which stops the leakage of the fluid to the outside.

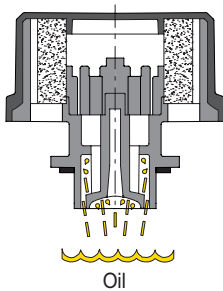
The hexagon on the threaded fitting makes it possible to apply, using a wrench, a greater tightening torque on the cap, ensuring better compression of the gasket.

TECHNICAL DATA

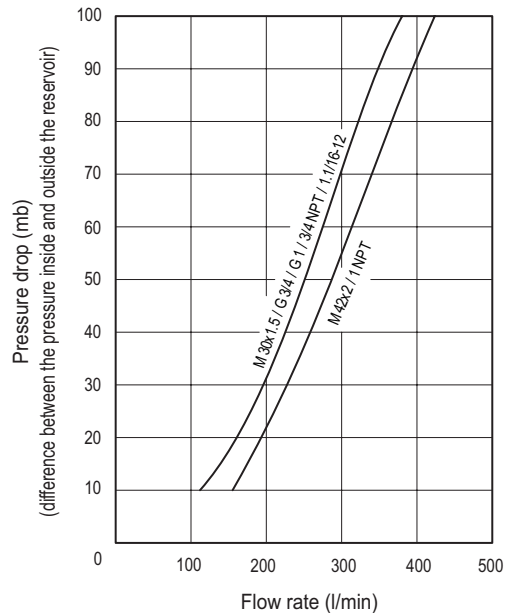
Air flow rate for the different executions of breather caps can be obtained from the diagram on the basis of the difference of air pressure inside and outside the reservoir.

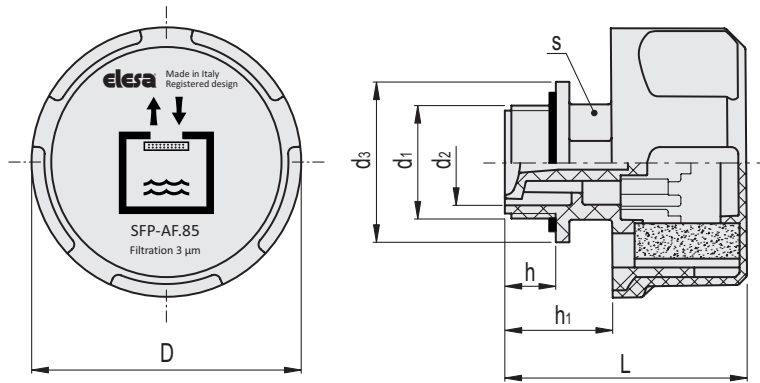
SPECIAL EXECUTIONS ON REQUEST

- Black cover without graphic symbol.
- Orange cover.
- Orange cover without graphic symbol.
- Yellow cover.
- Yellow cover without graphic symbol.



ELESA Original design





Conversion Table	
1 mm = 0.039 inch	
D	
mm	inch
85	3.32

METRIC

Code	Description	D	L	d1	d2	d3	h	h1	s	⚖
52900-C9	SFP-AF.85-M30x1.5+FC3-C9	85	73	M30x1.5	23	38	16	30.5	28	119
52902-C9	SFP-AF.85-M42x2+FC3-C9	85	76	M42x2	33	50	16.5	34	36	128
52904-C9	SFP-AF.85-G3/4+FC3-C9	85	73	G 3/4	20.5	35	16	30.5	28	118
52906-C9	SFP-AF.85-G1+FC3-C9	85	73	G 1	25	40	16	30.5	28	121
952904-C9	SFP-AF.85-3/4 NPT+FC3-C9	85	73	3/4 NPT	20.5	36	16.5	30.5	28	118
952906-C9	SFP-AF.85-1 NPT+FC3-C9	85	77	1 NPT	27	41	19	34.5	34	121
952908-C9	SFP-AF.85-1.1/16-12 SAE+FC3-C9	85	73	1.1/16-12 UNF	20.5	35	16	30.5	28	118