

- 1
- 2
- 3
- 4
- 5
- 6
- 7
- 8
- 9
- 10
- 11
- 12
- 13
- 14
- 15
- 16
- 17
- 18
- 19

COVER

Polyamide-based (PA) technopolymer, black colour RAL 9005, matte finish, laser engraved graphic symbols.

THREADED FITTING

Polyamide-based (PA) technopolymer, with splash guard and hexagon nut, black colour, semi-matte finish

PACKING RING

NBR synthetic rubber flat washer.

AIR FILTER

Polyester with a filtration rate of 3µm (efficiency > 98%).

FLAT DIPSTICK

Flat section phosphated steel (maximum visibility of the fluid level). On request and for sufficient quantities dipstick can be supplied in different lengths and/or complete with MAX-MIN level lines.

MAXIMUM CONTINUOUS WORKING TEMPERATURE

100°C.

FEATURES

SFP-AF caps (registered design) are made with a special internal geometry which stops the leakage of the fluid to the outside. The hexagon on the threaded fitting makes it possible to apply, using a wrench, a greater tightening torque on the cap, ensuring better compression of the gasket.

TECHNICAL DATA

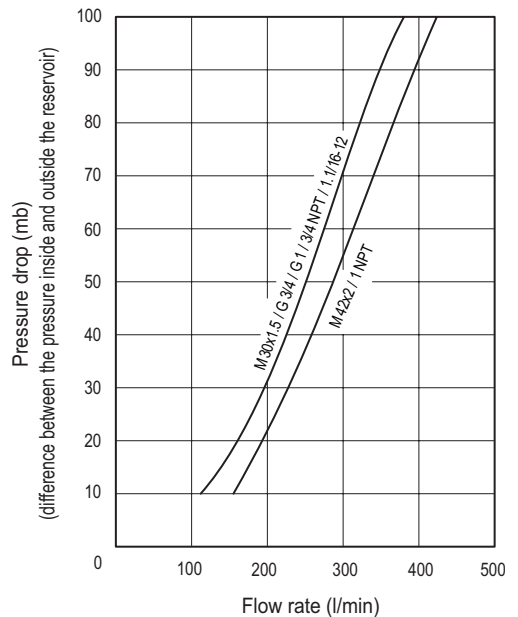
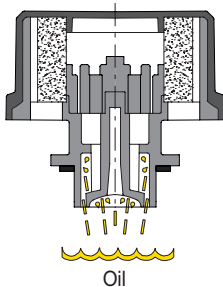
Air flow rate for the different executions of breather caps can be obtained from the diagram on the basis of the difference of air pressure inside and outside the reservoir.

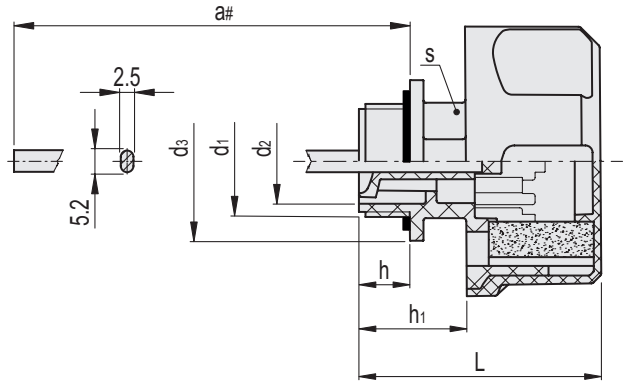
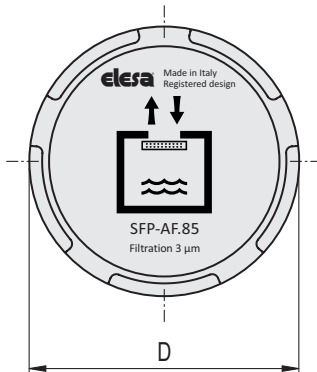
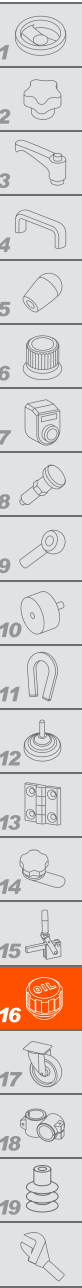
SPECIAL EXECUTIONS ON REQUEST

- Black cover without graphic symbol.
- Orange cover.
- Orange cover without graphic symbol.
- Yellow cover.
- Yellow cover without graphic symbol.
- Dipstick can be supplied in different lengths and/or complete with MAX-MIN level lines.



ELESA Original design





Conversion Table
1 mm = 0.039 inch

D	
mm	inch
85	3.32

METRIC

Code	Description	D	a#	L	d1	d2	d3	h	h1	s	⚖
52910-C9	SFP-AF.85-M30x1.5+FC3+a-C9	85	177	73	M30x1.5	23	38	16	30.5	28	139
52912-C9	SFP-AF.85-M42x2+FC3+a-C9	85	173.5	76	M42x2	33	50	16.5	34	36	148
52914-C9	SFP-AF.85-G3/4+FC3+a-C9	85	177	73	G 3/4	20.5	35	16	30.5	28	138
52916-C9	SFP-AF.85-G1+FC3+a-C9	85	177	73	G 1	25	40	16	30.5	28	141
952914-C9	SFP-AF.85-3/4 NPT+FC3+a-C9	85	181	73	3/4 NPT	20.5	36	16.5	30.5	28	138
952916-C9	SFP-AF.85-1 NPT+FC3+a-C9	85	178.5	77	1 NPT	27	41	19	34.5	34	141
952918-C9	SFP-AF.85-1.1/16-12 SAE+FC3+a-C9	85	177	73	1.1/16-12 UNF	20.5	35	16	30.5	28	138

You can choose lengths other than the standard option and/or add MAX-MIN level markings. To request customization, select an item and follow the wizard on the web.