

SFF+a Breather caps

with female thread, splash guard, and dipstick, technopolymer



- 1
- 2
- 3
- 4
- 5
- 6
- 7
- 8
- 9
- 10
- 11
- 12
- 13
- 14
- 15
- 16
- 17
- 18
- 19

MATERIAL

Polyamide based (PA) technopolymer.
 - Cap: semi-matte finish, black colour, with "fill" symbol.
 - Threaded connector with black splash guard.

PACKING RING

NBR synthetic rubber.

FLAT DIPSTICK

Flat section phosphatised steel.
 On request and for sufficient quantities dipstick can be supplied in different lengths and/or complete with MAX-MIN level lines.

AIR FILTER

"Tech-foam" polyurethane foam (polyester base), air filtration 40 μ .

MAXIMUM CONTINUOUS WORKING TEMPERATURE

100°C.

FEATURES AND APPLICATIONS

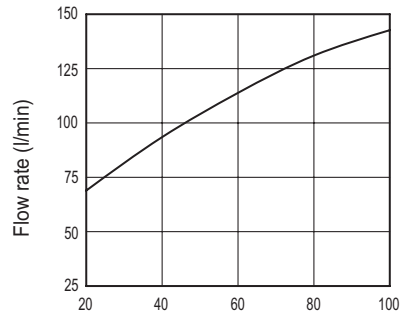
SFF+a breather caps have female thread and are typically used in rotomoulded tanks. They come complete with a splash guard device that prevents oil loss and are particularly suitable for use in tanks where oil is violently agitated and could be splashed against the breather cap.

TECHNICAL DATA

Air flow rates can be determined from the graph calculating the difference between the pressure inside and outside the tank.

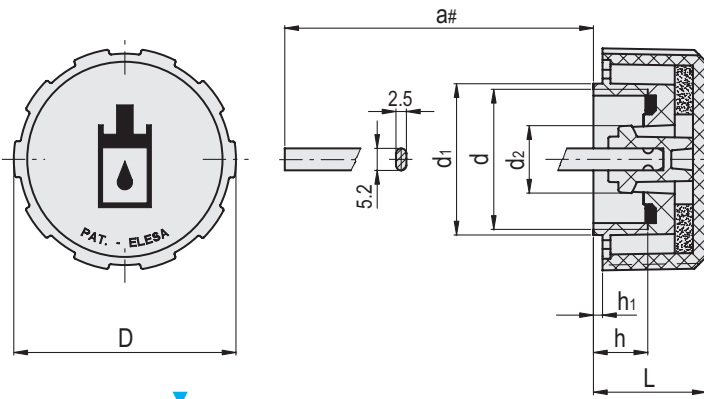
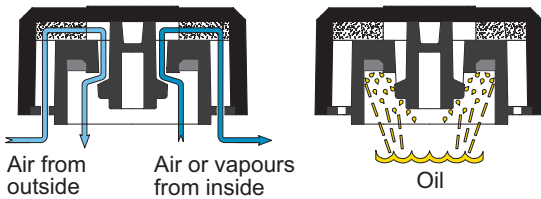


ELESA Original design



Flow rate (l/min)
 Pressure drop (mb)
 (difference between the pressure inside and outside the reservoir)

Operating layout



Conversion Table	
1 mm = 0,039 inch	
D	
mm	inch
42	1.65

Code	Description	D	d	a#	L	d1	d2	h	h1	⚖
53803	SFF.40-3/4+F+a	42	G 3/4	186	21.5	30	13	10.5	1.7	45

You can choose lengths other than the standard option and/or add MAX-MIN level markings. To request customization, select an item and follow the wizard on the web.