

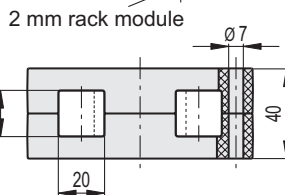
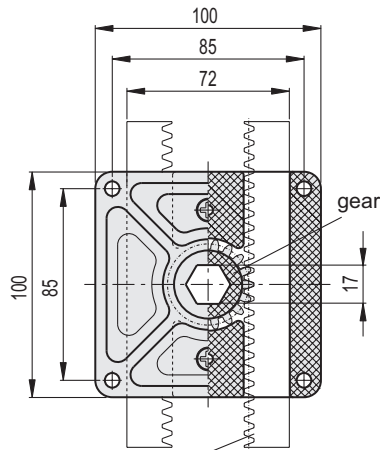
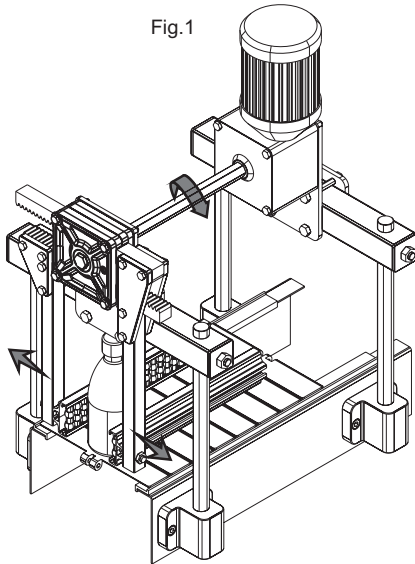
- 1
- 2
- 3
- 4
- 5
- 6
- 7
- 8
- 9
- 10
- 11
- 12
- 13
- 14
- 15
- 16
- 17
- 18
- 19

**BODY**  
Glass-fibre reinforced polyamide based (PA) technopolymer, orange, textured finish.

**SELF-THREADING SCREWS**  
AISI 304 stainless steel.

**GEAR**  
Acetal resin based (POM) technopolymer, white colour.

**FEATURES AND APPLICATIONS**  
RTGL reducers are used for the transverse adjustment of the lateral guides during the format change of the transported product (Fig.1).



Rack dimensions

Levelling feet and supports

Code	Description	
419777	RTGL-100-EH17	310