

- 1
- 2
- 3
- 4
- 5
- 6
- 7
- 8
- 9
- 10
- 11
- 12
- 13
- 14
- 15
- 16
- 17
- 18

PASS-THROUGH HANDLE SHANKS

Glass-fibre reinforced polyamide based (PA) technopolymer, RAL 9005 black colour, semi-matte finish.
 AISI 304 stainless steel threaded inserts.

TUBE

AISI 304 stainless steel, ground surface.

END CAPS

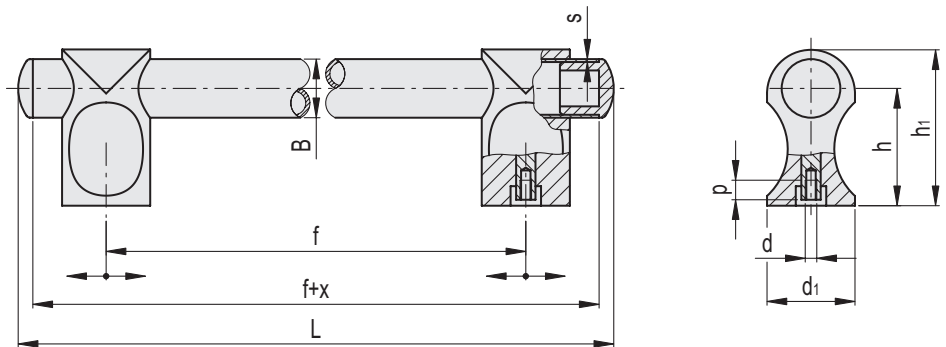
Glass-fibre reinforced polyamide based (PA) technopolymer, RAL 9005 black.

FEATURES

The RH-VR handles feature variable fixing centre distances, as they are side supports that can be adjusted on the tube by means of retaining screws.

SPECIAL EXECUTIONS ON REQUEST

- Handles with different lengths.
- Supports in various colours.



Conversion Table	
1 mm = 0,039 inch	
L	
mm	inch
260	10.2
310	12.2
360	14.17
390	15.35
490	19.29
590	23.23

Code	f	L	d	p	B	h	h1	d1	s	x	△
RHVR-20.200.S37	200	260	M6	10	20	45	60	30	2	50	254
RHVR-20.250.S37	250	310	M6	10	20	45	60	30	2	50	294
RHVR-20.300.S37	300	360	M6	10	20	45	60	30	2	50	334
RHVR-30.300.S37	300	390	M6	10	30	60	80	45	1.5	75	688
RHVR-30.400.S37	400	490	M6	10	30	60	80	45	1.5	75	808
RHVR-30.500.S37	500	590	M6	10	30	60	80	45	1.5	75	928