

- 1
- 2
- 3
- 4
- 5
- 6
- 7
- 8
- 9
- 10
- 11
- 12
- 13
- 14
- 15
- 16
- 17
- 18

HANDLE SHANKS

AISI 316L stainless steel with ground and brushed surfaces, polished finish.

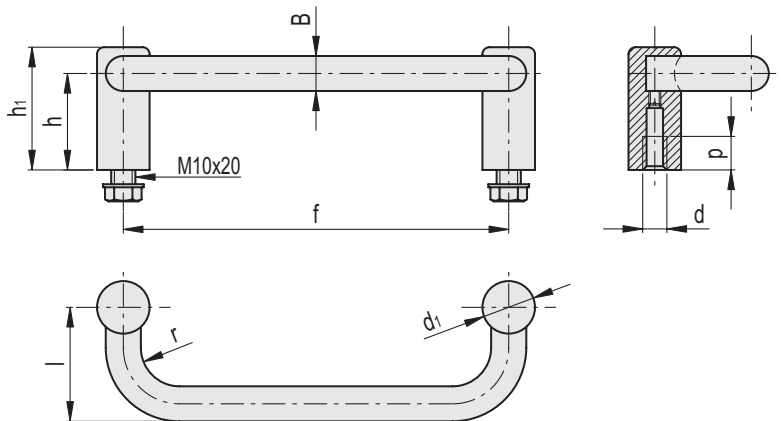
Fixed to the bar by means of M8 grain AISI 316L stainless steel, with threaded holes for M10x20 hexagon head screws and AISI 316L stainless steel washers, included in the supply.

BAR

Round-section AISI 316L stainless steel, with ground and brushed surfaces, polished finish.

SPECIAL EXECUTIONS ON REQUEST

Handles with different lengths.



Conversion Table	
1 mm = 0.039 inch	
f	
mm	inch
250	9.84
300	11.8

Code	f	d	p	d1	l	B	h	h1	r	△
RHVG-05.250.33	250	M10	20	30	65	20	55	70	22	1465
RHVG-05.300.33	300	M10	20	30	65	20	55	70	22	1590