

**HANDLE SHANKS**

Glass-fibre reinforced polyamide based (PA) technopolymer, RAL 9005 black colour, semi-matte finish.

Pass-through holes for cylindrical-head screws with hexagon socket.

**STANDARD EXECUTIONS**

- **RHRS-62:** aluminium tube, ground surface, natural colour anodised, matte finish.

Black zinc-plated screws, nuts and washers, included in the supply.

- **RHRS-37:** stainless AISI 304 steel tube, ground surface.

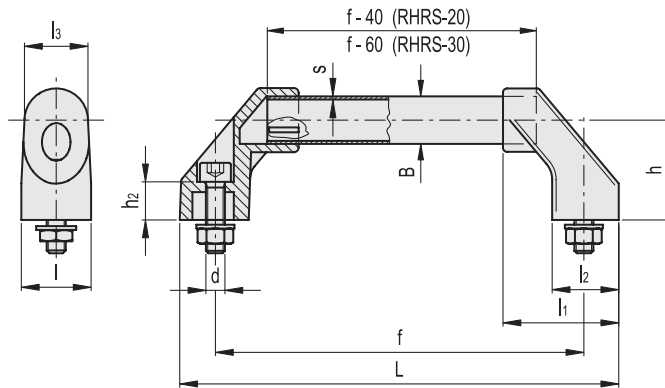
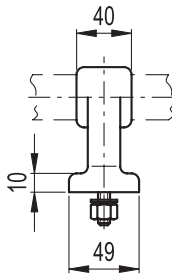
Stainless steel screws, nuts and washers, included in the supply.

**FEATURES**

RH-RS series tubular handles are provided with a special anti-rotation system.

**SPECIAL EXECUTIONS ON REQUEST**

- Different lengths.
- Plastic-coated aluminium tube, black colour, grooved finish.
- Executions with central shanks (for Ø 30 mm tube only), screw with hexagonal head, black zinc-plated nuts and washers, included in the supply.



Conversion Table 1 mm = 0.039 inch			
L			
mm	inch	mm	inch
230	9.05	430	16.93
280	11.02	444	17.48
294	11.57	530	20.87
330	12.99	544	21.42
344	13.54	644	25.35
394	15.51		

**RHRS-62**

Code	f	L	d	h2	B	s	h	l	l1	l2	l3	⚖
RHRS-20.200.62	200	230	M8x30	16	20	2	42	30	50	28	27	169
RHRS-20.250.62	250	280	M8x30	16	20	2	42	30	50	28	27	184
RHRS-20.300.62	300	330	M8x30	16	20	2	42	30	50	28	27	198
RHRS-20.400.62	400	430	M8x30	16	20	2	42	30	50	28	27	227
RHRS-20.500.62	500	530	M8x30	16	20	2	42	30	50	28	27	257
RHRS-30.250.62	250	294	M10x45	25	30	1.5	60	44	73	42	40	397
RHRS-30.300.62	300	344	M10x45	25	30	1.5	60	44	73	42	40	410
RHRS-30.350.62	350	394	M10x45	25	30	1.5	60	44	73	42	40	428
RHRS-30.400.62	400	444	M10x45	25	30	1.5	60	44	73	42	40	453
RHRS-30.500.62	500	544	M10x45	25	30	1.5	60	44	73	42	40	493
RHRS-30.600.62	600	644	M10x45	25	30	1.5	60	44	73	42	40	533

**RHRS-37**

Code
-
-
-
-
-
RHRS-30.250.37
RHRS-30.300.37
RHRS-30.350.37
RHRS-30.400.37
RHRS-30.500.37
RHRS-30.600.37

