

- 1
- 2
- 3
- 4
- 5
- 6
- 7
- 8
- 9
- 10
- 11
- 12
- 13
- 14
- 15
- 16
- 17
- 18

HANDLE SHANKS

Glass-fibre reinforced polyamide based (PA) technopolymer, RAL 9005 black colour, semi-matte finish.

Pass-through holes for screws with hexagonal head.

STANDARD EXECUTIONS

- **RHRR-62:** aluminium tube, ground surface, natural colour anodised, matte finish.

Black zinc-plated screws, nuts and washers, included in the supply.

- **RHRR-37:** stainless AISI 304 steel tube, ground surface.

Stainless steel screws, nuts and washers, included in the supply.

FEATURES

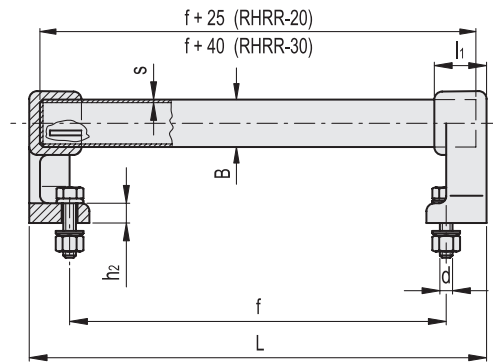
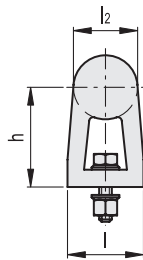
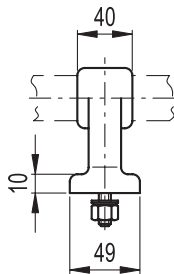
RH-RS series tubular handles are provided with a special anti-rotation system.

SPECIAL EXECUTIONS ON REQUEST

- Different lengths.

- Plastic-coated aluminium tube, black colour, grooved finish.

- Executions with central shanks (for Ø 30 mm tube only), screw with hexagonal head, black zinc-plated nuts and washers, included in the supply.



Conversion Table			
1 mm = 0.039 inch			
L			
mm	inch	mm	inch
234	9.21	434	17.09
284	11.18	450	17.72
300	11.81	534	21.02
334	13.15	550	21.65
350	13.78	650	25.59
400	15.75		

RHRR-62

RHRR-37

Code	f	L	d	h2	B	s	h	l	l1	l2	ΔΔ	Code
RHRR-20.200.62	200	234	M5x20	7	20	2	42	32	22	27	129	-
RHRR-20.250.62	250	284	M5x20	7	20	2	42	32	22	27	144	-
RHRR-20.300.62	300	334	M5x20	7	20	2	42	32	22	27	163	-
RHRR-20.400.62	400	434	M5x20	7	20	2	42	32	22	27	201	-
RHRR-20.500.62	500	534	M5x20	7	20	2	42	32	22	27	220	-
RHRR-30.250.62	250	300	M8x25	10	30	1.5	60	48	32	40	300	RHRR-30.250.37
RHRR-30.300.62	300	350	M8x25	10	30	1.5	60	48	32	40	317	RHRR-30.300.37
RHRR-30.350.62	350	400	M8x25	10	30	1.5	60	48	32	40	340	RHRR-30.350.37
RHRR-30.400.62	400	450	M8x25	10	30	1.5	60	48	32	40	352	RHRR-30.400.37
RHRR-30.500.62	500	550	M8x25	10	30	1.5	60	48	32	40	386	RHRR-30.500.37
RHRR-30.600.62	600	650	M8x25	10	30	1.5	60	48	32	40	429	RHRR-30.600.37