

HANDLE SHANKS

Glass-fibre reinforced polyamide based (PA) technopolymer.

TUBE

Polyvinylchloride (PVC), black colour.

IP PROTECTION

IP 65 protection class, according to EN 60529 (see page).

STANDARD EXECUTIONS

- RH-FG16-01.84: Push button with change-over contact.
- RH-FG16-02.84: two integrated push buttons: one button with normally open (NO) contact and one with change-over contact.
- RH-FG16-04.84: push button with change-over contact and emergency stop button with two normally closed (NC) contacts.
- RH-FG16-05.84: two integrated push buttons: one button with normally open (NO) contact and one with change-over contact and emergency stop button with two normally closed (NC) contacts.

FEATURES AND APPLICATIONS

RH-FG16 handle perfectly combines ergonomics, functionality and safety. In the handle one or more buttons and two leds (red and green) are integrated, indicating the state of the machinery.

This type of handle can be used to allow access to perimeter protection.

This area is unlocked/locked through a solenoid located inside the protected zone and connected by a cable to the logic (PLC).

ACCESSORIES ON REQUEST

- Locking/unlocking solenoids.
- RHFZ-KS.G08.10: cable with 8 pole M12x1 connector length 10 m.
- RHFZ-KS.G12.10: cable with 12 pole M12x1 connector length 10 m.

ANOTHER STANDARD EXECUTION

RH-FG16-00.84: single complementary handle without switch.



RH-FG16-01

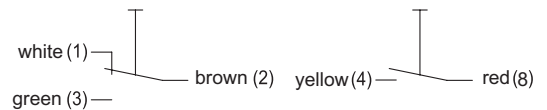
PUSH BUTTON



RH-FG16-02

PUSH BUTTON 1

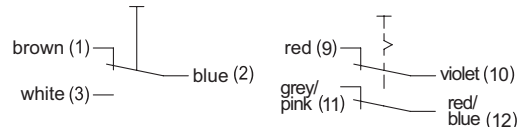
PUSH BUTTON 2



RH-FG16-04

PUSH BUTTON

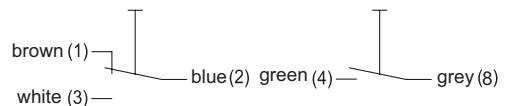
EMERGENCY PUSH BUTTON



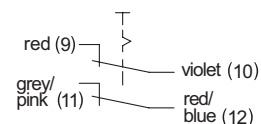
RH-FG16-05

PUSH BUTTON 1

PUSH BUTTON 2

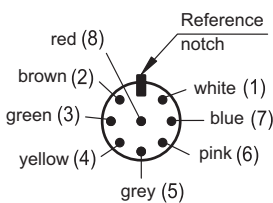


EMERGENCY PUSH BUTTON



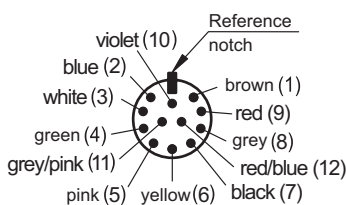
**RH-FG16-01
RH-FG16-02**

CONTACT WIRING CABLE (8-pin)

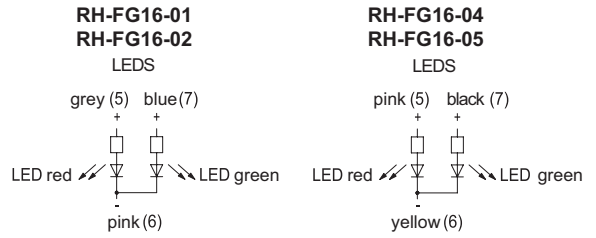


**RH-FG16-04
RH-FG16-05**

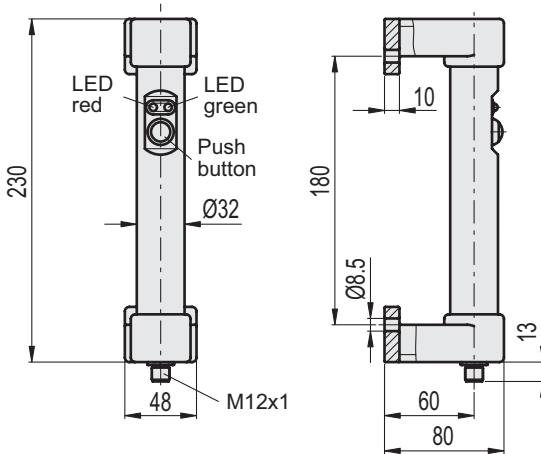
CONTACT WIRING CABLE (12-pin)



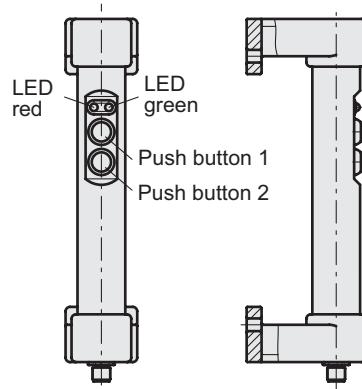
Electrical features	
LED light voltage	24 V DC
Button voltage range	24 V AC/DC max. 1 A
Emergency button voltage range	1 + 24 V AC/DC max. 100 mA



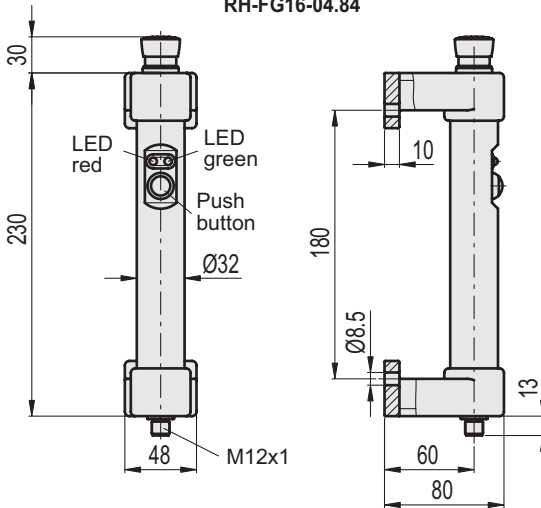
RH-FG16-01.84



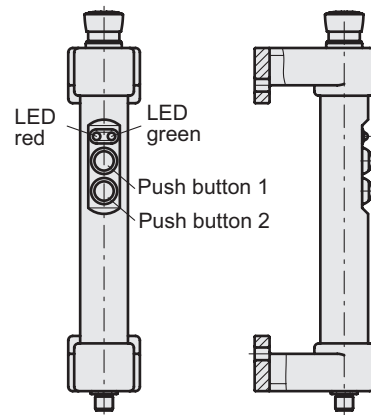
RH-FG16-02.84



RH-FG16-04.84



RH-FG16-05.84



RH-FG16-01.84

METRIC

Code	⚖
RHFG16-01S.180.84	315

RH-FG16-02.84

METRIC

Code	⚖
RHFG16-02S.180.84	350

RH-FG16-04.84

Code	⚖
RHFG16-04S.180.84	320

RH-FG16-05.84

Code	⚖
RHFG16-05S.180.84	355

- 1
- 2
- 3
- 4
- 5
- 6
- 7
- 8
- 9
- 10
- 11
- 12
- 13
- 14
- 15
- 16
- 17
- 18

Handles