

STANDARD EXECUTIONS

- **RH-FG16-00.200.36**: Side mounts in AISI 316 stainless steel, semi-matte sandblasted and polished surface obtained electrolytically. AISI 304 stainless steel tube, sandblasted and semi-matte surface obtained by electropolishing.
- **RH-FG16-00.180.84**: glass-fibre reinforced polyamide based (PA) technopolymer handle shanks. Polyvinylchloride (PVC) tube, black colour.

IP PROTECTION

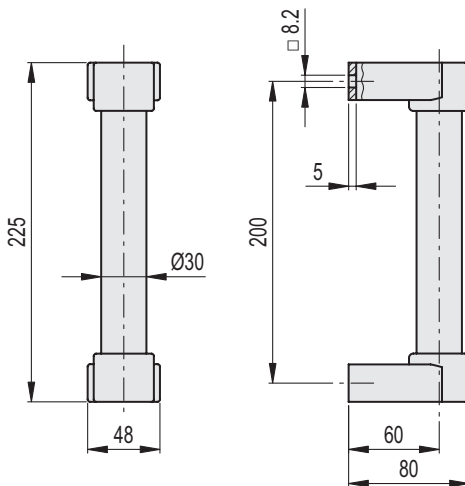
IP 65 protection class, according to EN 60529 (see page ).

FEATURES AND APPLICATIONS

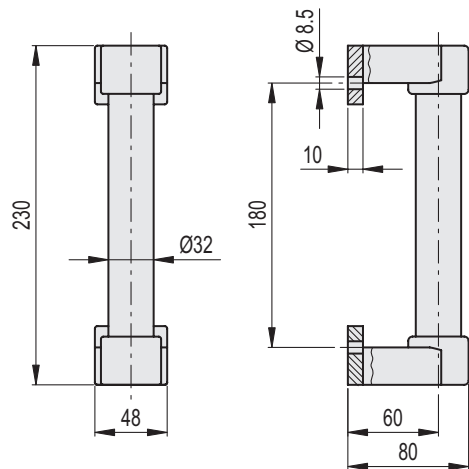
RH-FG16 handles perfectly combine ergonomics and functionality. They can be combined with handles with electrical switch RH-FG16.84 (FG16-00.84) e RH-FG16.36 (FG16-00.36).



RH-FG16-00.200.36



RH-FG16-00.180.84



RH-FG16-00.200.36



Code	⚖
RHFG16-00.200.36	808

RH-FG16-00.180.84



Code	⚖
RHFG16-00.180.84	270