

RH-EE-07 | Folding handle with recessed tray

Stainless steel



- 1
- 2
- 3
- 4
- 5
- 6
- 7
- 8
- 9
- 10
- 11
- 12
- 13
- 14
- 15
- 16
- 17
- 18

MATERIAL

AISI 304 stainless steel with electropolished finish.
Handle with return spring from work to rest position.

STANDARD EXECUTION

Pass-through holes for M4 countersunk-head screws.

APPLICATIONS

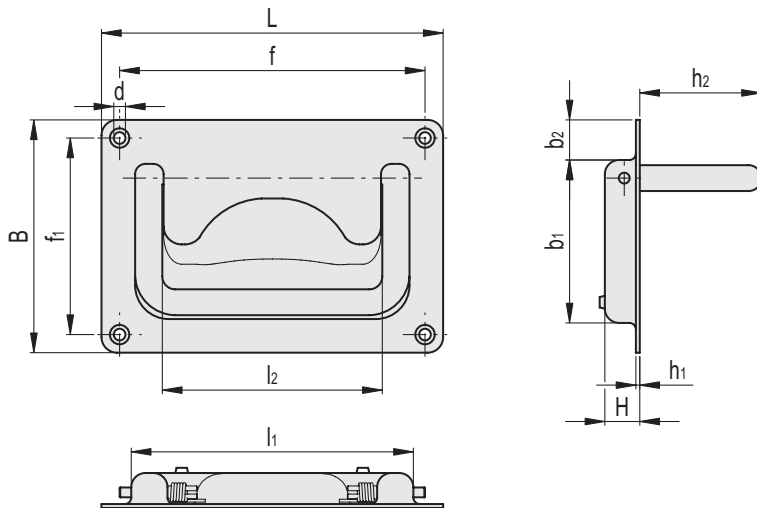
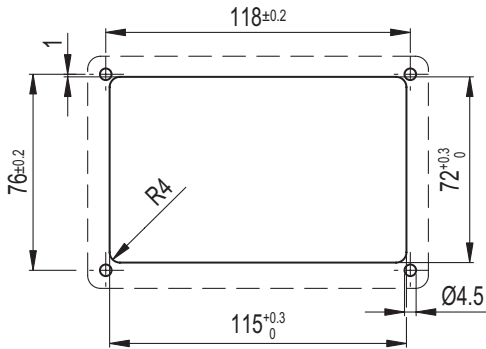
The folding handle with recessed tray RH-EE-07 series is used when it is requested to save space.

SPECIAL EXECUTION ON REQUEST

AISI 316L stainless steel folding handle with recessed tray.



Drilling template



Conversion Table

1 mm = 0.039 inch

L		d	
mm	inch	mm	inch
132	5.20	4.5	0.18



Code	f	L	B	f1	b1	b2	H	h1	h2	l1	l2	d	⚖️
RHEE-07.118.39	118	132	90	76	63	15.5	13.5	1.5	47	109	85	4.5	271