

MATERIAL

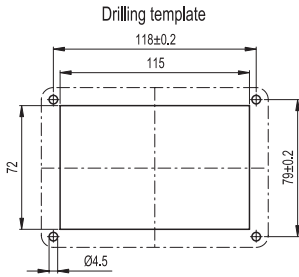
AISI 304 stainless steel with electropolished finish.
Handle with return spring from work to rest position.

STANDARD EXECUTION

Pass-through holes for M4 countersunk-head screws.

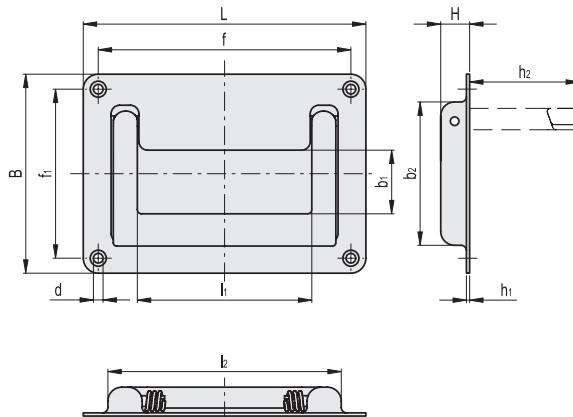
APPLICATIONS

RH-EE-03 series flush pull handles are generally used on devices where it is requested to save space.



- 1
- 2
- 3
- 4
- 5
- 6
- 7
- 8
- 9
- 10
- 11
- 12
- 13
- 14
- 15
- 16
- 17
- 18

Conversion Table			
1 mm = 0.039 inch			
L		d	
mm	inch	mm	inch
130	5.12	4.5	0.18
132	5.20		
200	7.87		



Code	f	L	B	fi	b1	b2	H	h1	h2	l1	l2	d	
RHEE-03.118.39	118	132	93	79	27	67	13.5	1.5	51	74	109	4.5	335