

- 1
- 2
- 3
- 4
- 5
- 6
- 7
- 8
- 9
- 10
- 11
- 12
- 13
- 14
- 15
- 16
- 17
- 18
- 19

COVERING

Injected polyurethane, hardness 85 Shore A.

WHEEL CENTRE BODY

Polyamide based (PA) technopolymer.

STANDARD EXECUTIONS

- **PBL**: fixed plate bracket, without brake.
- **SBL**: turning plate bracket, without brake.
- **SBF**: turning plate bracket, with brake.
- **FBL**: turning plate bracket and centre pass-through hole, without brake.
- **FBF**: turning plate bracket and centre pass-through hole, with brake.

FIXED PLATE BRACKET

AISI 304 stainless steel sheet, the bracket is designed to withstand loads up to 3000N.

TURNING PLATE BRACKET

AISI 304 stainless steel sheet, the bracket is designed to withstand loads up to 3000N.

The presence of a double ball race and direct contact between the plate and the ball race ring with built-in pin ensure excellent manoeuvrability. Does not require maintenance.

It consists of (see Fig.1):

1. fitting plate: AISI 304 stainless steel sheet;
2. fork: AISI 304 stainless steel sheet;
3. ball race ring: AISI 304 stainless steel sheet;
4. central pin: incorporated in the plate, cold reflanged;
5. rotation system: dual grease-lubricated ball race;
6. dust seal: blue technopolymer, available only for SBL and SBF executions.

BRAKE

Total brake that locks the wheel and bracket rotation.

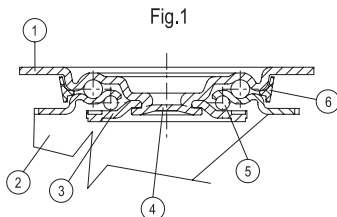
The optimised dimensions and the retractable pedal ensure minimal space occupied and maximum actuation ease. Stainless steel spring. The trolley must be turned to use the device. The brake is simple and effective to use: it is actuated and released by a simple action from the top downward at the tip of two separate pedals, thus ensuring the utmost manoeuvring comfort.

APPLICATIONS

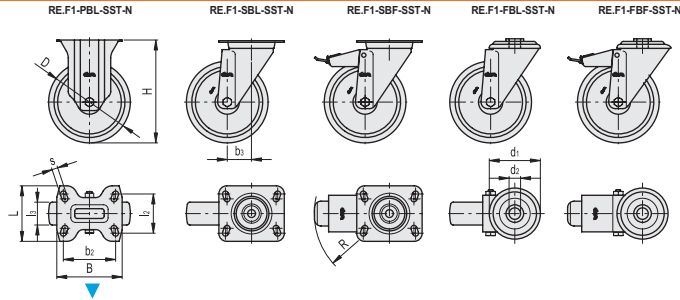
Excellent rolling resistance and elasticity features, good wear and tearing resistance.

Excellent capacity to overcome obstacles.

For further information see wheel technical data sheet RE.F1 (see page -).



Conversion Table 1 mm = 0.039 inch	
D	
mm	inch
80	3.12
100	3.90
125	4.88
150	5.90
200	7.87



INOX STAINLESS STEEL METRIC

RE.F1-PBL-SST-N

Code	Description	D	I2	I3	H	B	L	s	b2	Rolling resistance# [N]	Dynamic carrying capacity# [N]	⚖️
448101	RE.F1-080-PBL-SST-SST-N	80	60	30	107	100	85	9	80	750	750	350
448102	RE.F1-100-PBL-SST-SST-N	100	60	30	128	100	85	9	80	1200	1200	400
448103	RE.F1-125-PBL-SST-SST-N	125	60	35	156	100	85	9	80	1800	1800	640
448104	RE.F1-150-PBL-SST-SST-N	150	87	45	194	140	110	11	85	2400	2500	1330
448105	RE.F1-200-PBL-SST-SST-N	200	87	50	240	140	110	11	85	3000	3000	1710

RE.F1-SBL-SST-N

Code	Description	D	I2	I3	H	B	L	s	b2	b3	Rolling resistance# [N]	Dynamic carrying capacity# [N]	⚖️
448111	RE.F1-080-SBL-SST-SST-N	80	60	30	107	100	85	9	80	40	750	750	610
448112	RE.F1-100-SBL-SST-SST-N	100	60	30	128	100	85	9	80	35	1200	1200	650
448113	RE.F1-125-SBL-SST-SST-N	125	60	35	156	100	85	9	80	37	1800	1800	810
448114	RE.F1-150-SBL-SST-SST-N	150	87	45	194	140	110	11	85	56	2400	2500	1770
448115	RE.F1-200-SBL-SST-SST-N	200	87	50	240	140	110	11	85	56	3000	3000	2200

RE.F1-SBF-SST-N

Code	Description	D	I2	I3	H	B	L	s	b2	b3	R	Rolling resistance# [N]	Dynamic carrying capacity# [N]	⚖️
448121	RE.F1-080-SBF-SST-SST-N	80	60	30	107	100	85	9	80	40	120	750	750	780
448122	RE.F1-100-SBF-SST-SST-N	100	60	30	128	100	85	9	80	35	120	1200	1200	830
448123	RE.F1-125-SBF-SST-SST-N	125	60	35	156	100	85	9	80	37	120	1800	1800	950
448124	RE.F1-150-SBF-SST-SST-N	150	87	45	194	140	110	11	85	56	156	2400	2500	1980
448125	RE.F1-200-SBF-SST-SST-N	200	87	50	240	140	110	11	85	56	156	3000	3000	2480

RE.F1-FBL-SST-N

Code	Description	D	d1	d2	I3	H	b3	R	Rolling resistance# [N]	Dynamic carrying capacity# [N]	⚖️
448131	RE.F1-080-FBL-SST-SST-N	80	73	12	30	107	40	120	750	750	550
448132	RE.F1-100-FBL-SST-SST-N	100	73	12	30	128	35	120	1200	1200	610
448133	RE.F1-125-FBL-SST-SST-N	125	73	12	35	156	37	120	1800	1800	790
448134	RE.F1-150-FBL-SST-SST-N	150	102	20	45	188	56	120	2400	2500	1570
448135	RE.F1-200-FBL-SST-SST-N	200	102	20	50	236	56	120	3000	3000	2140

RE.F1-FBF-SST-N

Code	Description	D	d1	d2	I3	H	b3	R	Rolling resistance# [N]	Dynamic carrying capacity# [N]	⚖️
448141	RE.F1-080-FBF-SST-SST-N	80	73	12	30	107	40	120	750	750	720
448142	RE.F1-100-FBF-SST-SST-N	100	73	12	30	128	35	120	1200	1200	820
448143	RE.F1-125-FBF-SST-SST-N	125	73	12	35	156	37	120	1800	1800	940
448144	RE.F1-150-FBF-SST-SST-N	150	102	20	45	188	56	156	2400	2500	1850
448145	RE.F1-200-FBF-SST-SST-N	200	102	20	50	236	56	156	3000	3000	2400

For rolling resistance and dynamic carrying capacity see Technical data (on page 1296).

