

COVERING

Grey anti-trace rubber.

WHEEL CENTRE BODY

Polypropylene-based (PP) technopolymer, with polyamide thread guards (D = 40 mm) or with metal thread guards (D = 50, 60, 80 mm).

ROLLING ACTION

Hub with pass-through hole.

FIXED PLATE BRACKET

Electrolytically zinc-plated steel sheet bracket.

TURNING PLATE BRACKET

Electrolytically zinc-plated steel sheet bracket.

The presence of a double ball race and direct contact between the plate and the ball race ring with built-in pin ensure excellent manoeuvrability.

FRONT-ACTUATED BRAKE

Total brake that locks rotation of the wheel and the technopolymer bracket.

The optimised dimensions and the retractible pedal ensure minimal space occupied and maximum actuation ease.

STANDARD EXECUTIONS

- **PBL**: fixed plate bracket, without brake.
- **SBL**: turning plate bracket, without brake.
- **SBF**: turning plate bracket, with brake.
- **CBL**: turning plate bracket and threaded centre pin, without brake.
- **CBF**: turning plate bracket and threaded centre pin, with brake.
- **FBL**: turning plate bracket and centre pass-through hole, without brake.
- **FBF**: turning plate bracket and centre pass-through hole, with brake.

APPLICATIONS

Castors for the general public, excellent rolling resistance and elasticity features.

ENVIRONMENTAL CONDITIONS

Suitable for use in humid environments and in the presence of medium-aggressive chemical environments; use in environments with the presence of organic, chlorinated solvents, hydrocarbons and mineral oils is not recommended.



RE.C7-PBL-C

RE.C7-SBL-C

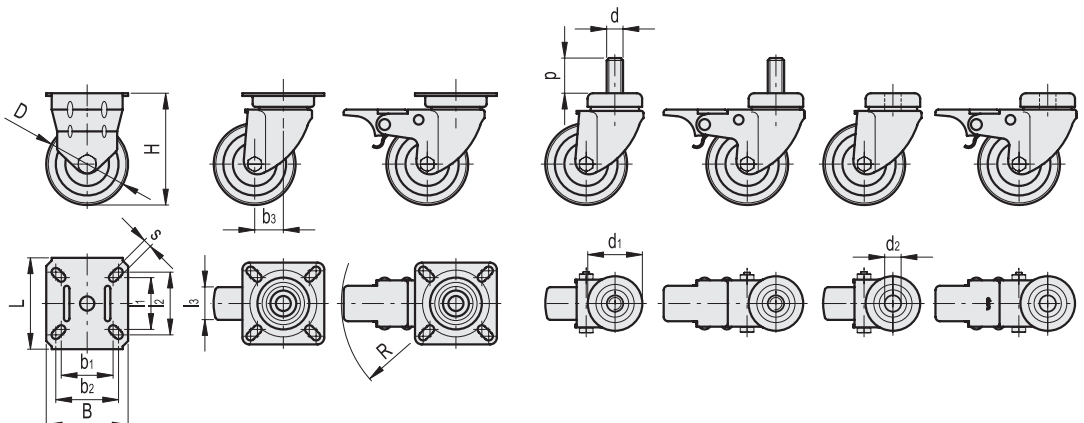
RE.C7-SBF-C

RE.C7-CBL-C

RE.C7-CBF-C

RE.C7-FBL-C

RE.C7-FBF-C



Conversion Table 1 mm = 0.039 inch	
D	
mm	inch
40	1.56
50	1.95
60	2.34
80	3.12

RE.C7-PBL

METRIC

Code	Description	D	I1	I2	I3	b1	b2	H	B	L	s	Dynamic carrying capacity# [N]	⚖️
452096	RE.C7-040-PBL-C	40	27	33	17	27	33	59	48	48	5	300	110
452101	RE.C7-050-PBL-C	50	38.5	44	17	38.5	44	66	55	55	6	350	200
452106	RE.C7-060-PBL-C	60	38.5	48	24	38.5	48	83	60	67	6	500	260
452111	RE.C7-080-PBL-C	80	39.5	48	24	39.5	48	104	60	67	6	550	340

RE.C7-SBL

Code	Description	D	I1	I2	I3	b1	b2	b3	H	B	L	s	Dynamic carrying capacity# [N]	⚖️
451996	RE.C7-040-SBL-C	40	30	33	17	30	33	24	59	42	42	5	300	120
452001	RE.C7-050-SBL-C	50	38.5	44	17	38.5	44	22	66	55	55	6	350	200
452006	RE.C7-060-SBL-C	60	38.5	48	24	38.5	48	21	83	60	60	6	500	280
452011	RE.C7-080-SBL-C	80	38.5	48	24	38.5	48	30	104	60	60	6	550	430

RE.C7-SBF

Code	Description	D	I1	I2	I3	b1	b2	b3	H	B	L	s	R	Dynamic carrying capacity# [N]	⚖️
452046	RE.C7-040-SBF-C	40	30	33	17	30	33	24	59	42	42	5	78	300	150
452051	RE.C7-050-SBF-C	50	38.5	44	17	38.5	44	22	66	55	55	6	78	350	240
452056	RE.C7-060-SBF-C	60	38.5	48	24	38.5	48	18	83	60	60	6	82	500	400
452061	RE.C7-080-SBF-C	80	38.5	48	24	38.5	48	30	104	60	60	6	91	550	500

RE.C7-CBL

Code	Description	D	d	p	d1	I3	b3	H	Dynamic carrying capacity# [N]	⚖️
452146	RE.C7-040-CBL-C	40	M8	15	35	18	24	59	300	130
452151	RE.C7-050-CBL-C	50	M8	15	35	18	24	66	350	180
452156	RE.C7-060-CBL-C	60	M12	25	41	24	21	83	500	290
452161	RE.C7-080-CBL-C	80	M12	25	41	24	30	104	550	390

RE.C7-CBF

Code	Description	D	d	p	d1	I3	b3	H	R	Dynamic carrying capacity# [N]	⚖️
452196	RE.C7-040-CBF-C	40	M8	15	35	18	24	59	78	300	180
452201	RE.C7-050-CBF-C	50	M8	15	35	18	24	66	78	350	210
452206	RE.C7-060-CBF-C	60	M12	25	41	24	18	83	84	500	360
452211	RE.C7-080-CBF-C	80	M12	25	41	24	30	104	91	550	460

RE.C7-FBL

Code	Description	D	d1	d2	I3	b3	H	Dynamic carrying capacity# [N]	⚖️
452246	RE.C7-040-FBL-C	40	35	10	18	24	59	300	110
452251	RE.C7-050-FBL-C	50	35	10	18	24	66	350	160
452256	RE.C7-060-FBL-C	60	41	12	24	21	83	500	250
452261	RE.C7-080-FBL-C	80	41	12	24	30	104	550	310

RE.C7-FBF

Code	Description	D	d1	d2	I3	b3	H	R	Dynamic carrying capacity# [N]	⚖️
452296	RE.C7-040-FBF-C	40	35	10	18	24	59	78	300	140
452301	RE.C7-050-FBF-C	50	35	10	18	24	66	78	350	190
452306	RE.C7-060-FBF-C	60	41	12	24	18	83	84	500	320
452311	RE.C7-080-FBF-C	80	41	12	24	30	104	91	550	400

For dynamic carrying capacity see Technical data (on page 1296).

