

- 1
- 2
- 3
- 4
- 5
- 6
- 7
- 8
- 9
- 10
- 11
- 12
- 13
- 14
- 15
- 16
- 17
- 18

MATERIAL

Manganese phosphate pressed steel, black colour.

HEXAGON-SOCKET HEAD SCREWS WITH COUNTERSINK FOR CYLINDER SUPPORT

Black-oxide steel.

CYLINDER SUPPORT BUSHINGS

Hardened steel.

CYLINDER BODY AND HEADERS

Aluminium.

ROTATING PINS AND SEEGER RINGS

Ground and hardened steel.

PUSH LEVER

AISI 420 stainless steel.

STANDARD EXECUTIONS

- **PPE-LPV1/LPV2:** with open clamping lever and two folded washers.
- **PPE-LPV3:** with solid clamping lever and bolt retainer.

MAXIMUM WORKING PRESSURE

6 bars.

MAX WORKING TEMPERATURE

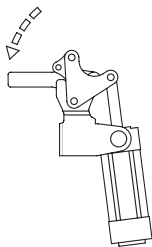
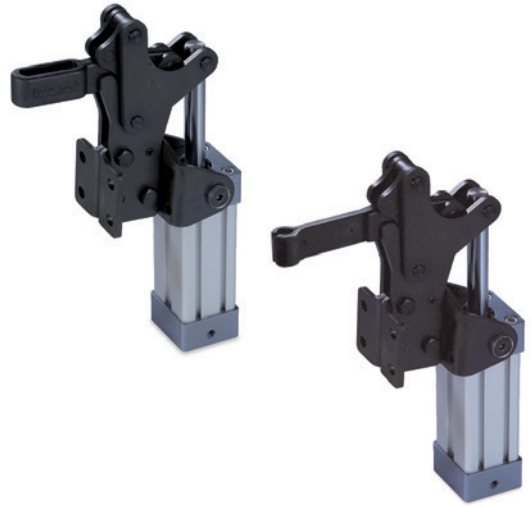
70°C.

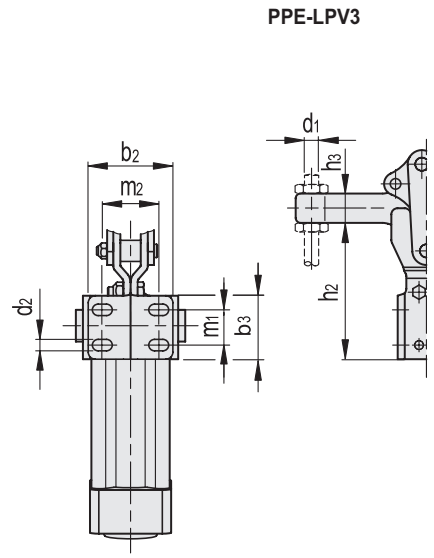
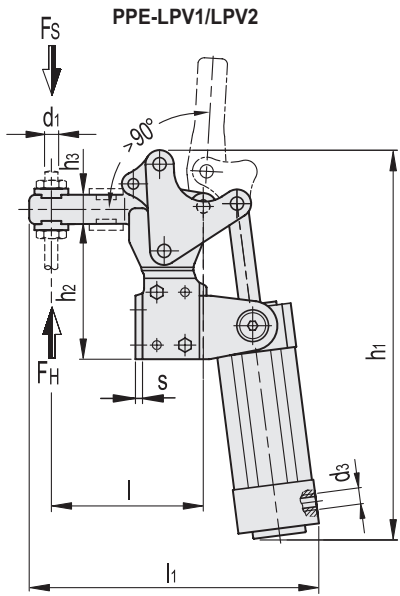
FEATURES AND APPLICATIONS

PPE pneumatic clamps have a reinforced body equipped with hardened and ground pins and bushings which makes them suitable for particularly heavy applications over an extended period of time.

They are all equipped with a magnetic cylinder which, through the use of the proximity switch PSWX###PSWX (see page -) (to be ordered separately) gives drive and/or control impulses while active.

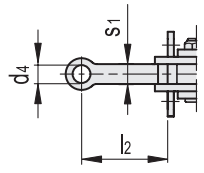
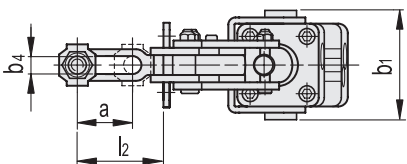
Using a lubrication filter assembly is necessary for the cylinder to work properly for a long time, whereas flow regulators are recommended to guarantee long life of mechanical components.





Conversion Table
1 mm = 0.039 inch

d1	
mm	inch
6	0.23
10	0.39
12	0.47



METRIC

PPE-LPV1/LPV2

Code	Description	a	b1	b2	b3	b4	d1	d2	d3	h1	h2	h3	l	l1	l2	m1	m2	s	FH* [N]	FS# [N]	⚖️
GG.AO384	PPE.LPV1	35	63	57	36	6.3	M6	6.5	G1/8	221	77	16.6	89	161	51	20	30+34	3.5	2200	11800	1150
GG.AO386	PPE.LPV2	35	75	71	54	10.3	M10	8.5	G1/4	267	106	24	115	195	60	30	42.5+46.5	5	4400	2170	2750

PPE-LPV3

Code	Description	b1	b2	b3	d1	d2	d3	d4	h1	h2	h3	l1	l2	m1	m2	s	s1	FH* [N]	FS# [N]	⚖️
GG.AO388	PPE.LPV3	89	80	75	M12	10.5	G1/4	12.5	355	140	31	229	68	55	52+56	6	12	8500	3170	5300

* Holding force.
Clamping force -6 bar.

