



- 1
- 2
- 3
- 4
- 5
- 6
- 7
- 8
- 9
- 10
- 11
- 12
- 13
- 14
- 15
- 16
- 17
- 18
- 19

PLATES

Glass-fibre reinforced polyamide based (PA) SUPER-technopolymer, black colour, matte finish.

SCREWS

AISI 304 stainless steel.

FEATURES AND APPLICATIONS

The PM-M.2000 kit allows the installation of the M.2000 and M.2000-SWM handles on profiles starting from size 35 mm with a T-slot.

The supply includes two M6x12 countersunk head screws with hexagonal socket for mounting the plates to the handle. These screws are not accessible after installing the handle on the profile.

ASSEMBLY INSTRUCTIONS

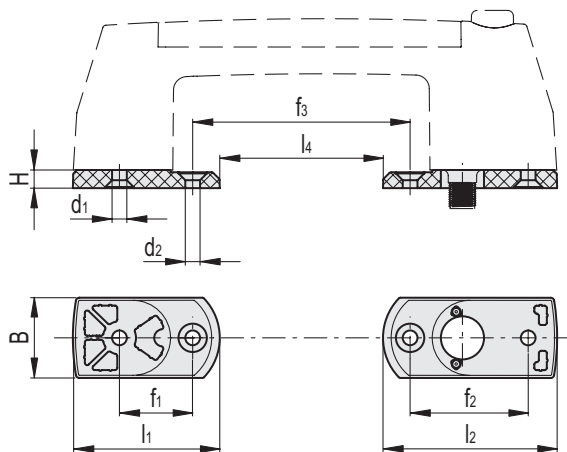
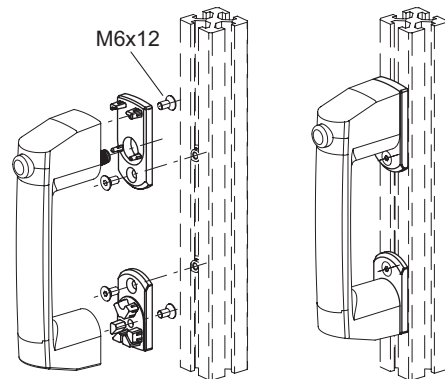
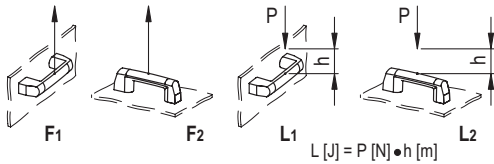
1. Mount the plates on the handle using M6x12 screws.
2. Mount the handle on the profile in the desired position using M6 countersunk head screws (not included in the supply) and suitable T-slot inserts, type GN 51B on page - (not included in supply).

TECHNICAL DATA

Tensile stress and impact strength: the values F1, F2, L1 and L2 indicated in the table were obtained during breaking tests carried out under the test conditions shown in the figure with ambient temperature.



ELESA Original design



Code	Description	d1	d2	f1	f2	f3	H	B	l1	l2	l4	F1 [N]	F2 [N]	L1 [J]	L2 [J]		
15281	PM-M.2000/180	6.5	6.5	32.5	52	96	8	35.5	64.5	76.5	72	700	900	7	6	50	

Handles

1