

MTP-SST | Latch clamps, heavy-duty series

Stainless steel



MATERIAL

AISI 304 stainless steel.

PIN

AISI 303 stainless steel.

PULLING HOOK

AISI 304 stainless steel.

OSCILLATING PIN AND NUTS

AISI 303 stainless steel.

FEATURES AND APPLICATIONS

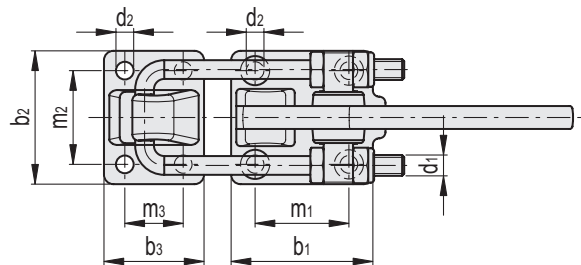
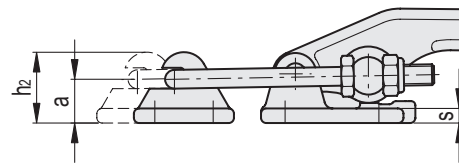
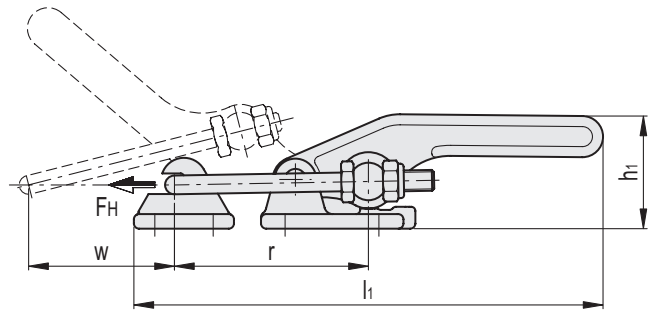
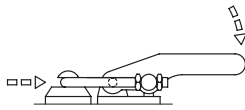
All articulated joints are lubricated with special grease.

MTP clamps ensure tight closing of any cover; they are suitable for use with high resistant torque thanks to high mechanical resistance of materials.

The position of the pulling hook can be adjusted in length according to the specific applications.

ACCESSORIES ON REQUEST

TRU: U-shaped pulling hooks of various dimensions (see page).



INOX STAINLESS STEEL **METRIC**

Code	Description	a	b1	b2	b3	d1	d2	h1	h2	l1	m1	m2	m3	r	s	Stroke w	FH [N]*	Δ
GG.AS518	MTP.1700-T2X	21	68	64	48	M10	8.5	55	34	226	45	45	28	94+106	7	54+58	14000	1085
GG.AS522	MTP.4000-T2X	27	85	80	60	M12	10.5	68	42	282	57	57	35	102+124	9	62+65	30000	2070

* Holding force.