

- 1
- 2
- 3
- 4
- 5
- 6
- 7
- 8
- 9
- 10
- 11
- 12
- 13
- 14
- 15
- 16
- 17
- 18
- 19

MATERIAL

AISI 304 stainless steel.

RIVETS

AISI 304 stainless steel.

PULLING PIN AND HOOK

AISI 303 stainless steel.

HANDLE

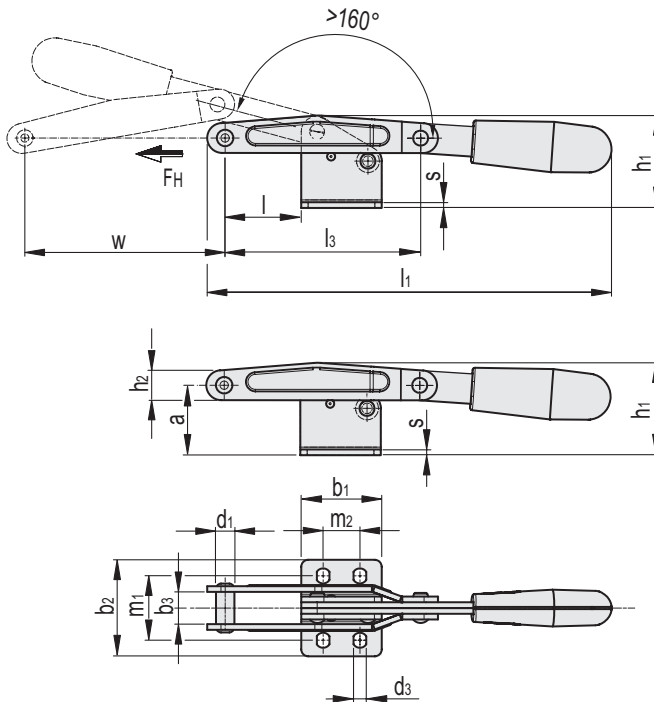
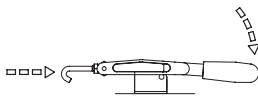
Polyurethane, red colour.

STANDARD EXECUTIONS

- **MTA-TX**: with pulling pin.
- **MTA-TFX**: with pulling hook.

FEATURES AND APPLICATIONS

All articulated joints are lubricated with special grease.
 MTA-SST clamps ensure tight closing of any cover.
 The position of the pulling hook (MTA-TFX) can be adjusted according to specific applications.



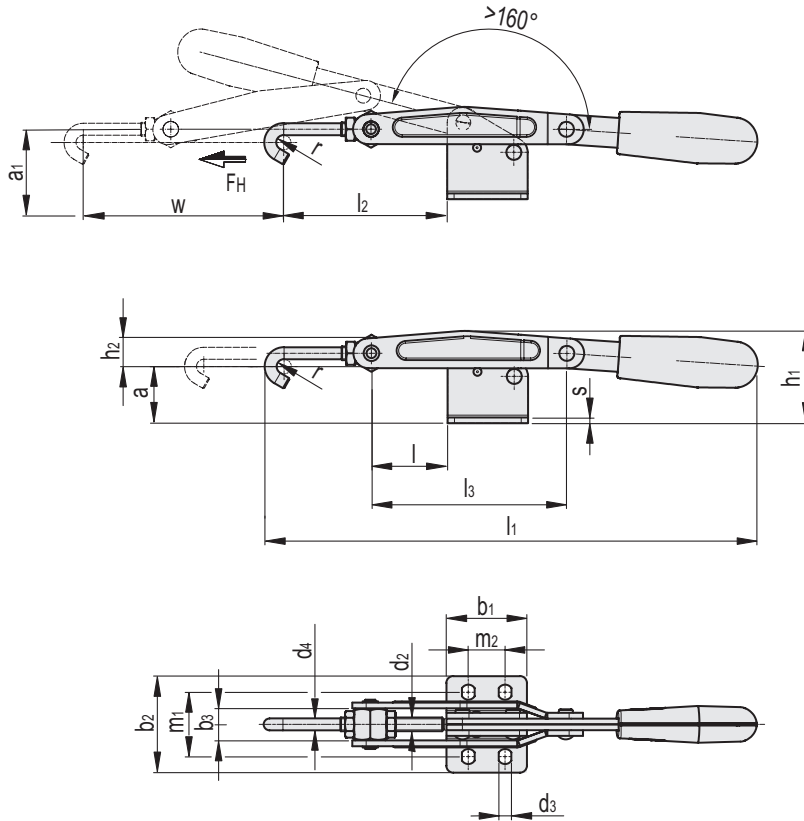
Toggle and fastening clamps

MTA-TX

INOX STAINLESS STEEL METRIC

Code	Description	a	b ₁	b ₂	b ₃	d ₁	d ₃	h ₁	h ₂	l	l ₁	l ₃	m ₁	m ₂	s	W Stroke	⚖
GG.AS447-R	MTA.160-TX	30.5	35	42	14	8	5.5	40.2	16.3	33	175.8	85	28	16	2.5	87	210
GG.AS451	MTA.220-TX	37.4	41	45	18	10	6.5	48.9	19.5	40	199.7	99	32	19	3	97	350
GG.AS455	MTA.320-TX	35.5	48	60	21	10	8.5	49.1	23.7	43	224.8	105	45	32	3	100	510
GG.AS459	MTA.420-TX	44.3	54	84	26	14	10.5	60.7	28.9	45.5	274.9	138	60.5	28.5	5	155	1100

* Holding force.



MTA-TFX

INOX STAINLESS STEEL METRIC

Code	Description	a	a ₁	b ₁	b ₂	b ₃	d ₂	d ₃	d ₄	h ₁	h ₂	l	l ₁	l ₂	l ₃	m ₁	m ₂	s	r	w	Stroke
GG.AS449-R	MTA.160-TFX	24.7	30.5	35	42	14	M6	5.5	5.2	40.2	16.3	33	214.9	71+91	85	28	16	2.5	3.2	87	240
GG.AS453	MTA.220-TFX	29.0	37.5	41	45	18	M8	6.5	7.1	48.9	19.5	40	247.3	84+105	99	32	19	3	5	97	350
GG.AS457	MTA.320-TFX	25.0	35.4	48	60	21	M10	8.5	8.8	49.1	23.7	43	277.8	91+115	105	45	32	3	6	100	625
GG.AS461	MTA.420-TFX	33.9	44.3	54	84	26	M10	10.5	8.8	60.7	28.9	45.5	325.8	95+114.5	138	60.5	28.5	5	6	155	1210

* Holding force.

