

- 1
- 2
- 3
- 4
- 5
- 6
- 7
- 8
- 9
- 10
- 11
- 12
- 13
- 14
- 15
- 16
- 17
- 18

MATERIAL

Anodised aluminium, natural colour.

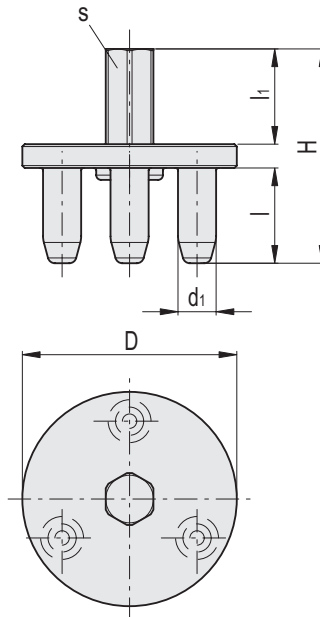
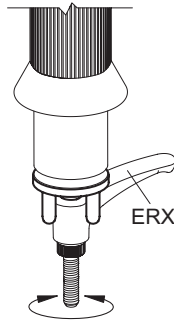
FEATURES AND APPLICATIONS

MT-ERX is suitable for quickly mounting the ERX.63 and ERX.78 adjustable handles using an electric or pneumatic screwdriver to be fitted onto the hexagon.

The gripping shape allows a quick and safe engagement of the lever without leaving signs of wear.

INSTRUCTIONS OF USE

It is advisable to set a controlled torque limit switch on the screwdriver.



Conversion Table	
1 mm = 0,039 inch	
D	
mm	inch
40	1.57
45	1.76

MT-ERX

Code	Description	D	H	d1	l	l1	s	△
233093	MT-ERX.63	40	45	7	20	20	10	30
233094	MT-ERX.78	45	45	8	20	20	10	37