

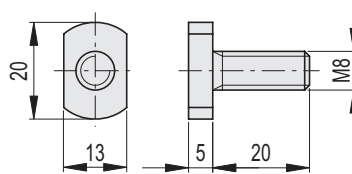
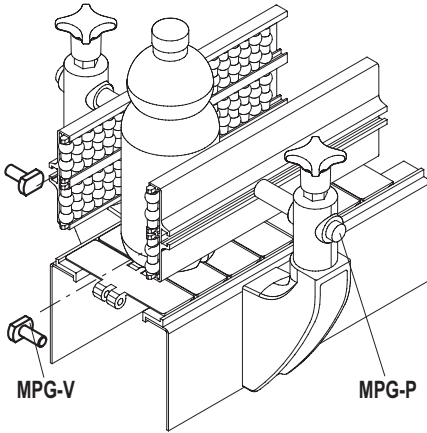
- 1
- 2
- 3
- 4
- 5
- 6
- 7
- 8
- 9
- 10
- 11
- 12**
- 13
- 14
- 15
- 16
- 17
- 18

STANDARD EXECUTIONS

- **MPG-V**: zinc-plated steel.
- **MPG-V-SST**: AISI 304 stainless steel.

FEATURES AND APPLICATIONS

MPG-V hammer head screws are used to join the different types of lateral guides to the MPG-P fixing pins.



MPG-V

Code	Description	
419693	MPG-V-p-M8x20	16

MPG-V-SST



Code	Description	
419697	MPG-V-SST-p-M8x20	16