

- 1
- 2
- 3
- 4
- 5
- 6
- 7
- 8
- 9
- 10
- 11
- 12
- 13
- 14
- 15
- 16
- 17
- 18
- 19

MATERIAL

AISI 304 stainless steel.

STANDARD EXECUTIONS

- **MPG-R-SST-1:** for one-track roller side guides.
- **MPG-R-SST-2:** for two-track roller side guides.
- **MPG-R-SST-3:** for three-track roller side guides.
- **MPG-R-SST-4:** for four-track roller side guides.

FEATURES AND APPLICATIONS

The MPG-R-SST guide rail clamps are used for fixing the GLD-SST side guides.

They are supplied in kits including clamps, pin, screw and nut (MPG-R-SST-1), or clamps, screws and spacer (MPG-R-SST-2 / MPG-R-SST-3 / MPG-R-SST-4).

Supplied not assembled.

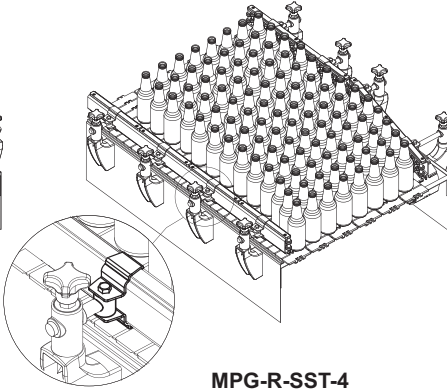
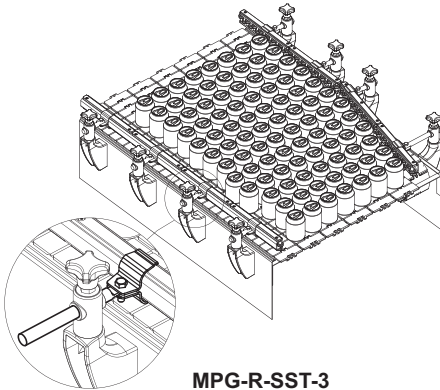
ACCESSORIES ON REQUEST

MPG-P: fixing pin (419513 MPG-P16-M10x17) for use in combination with MPG-R-SST-2 / MPG-R-SST-3 / MPG-R-SST-4 clamps.



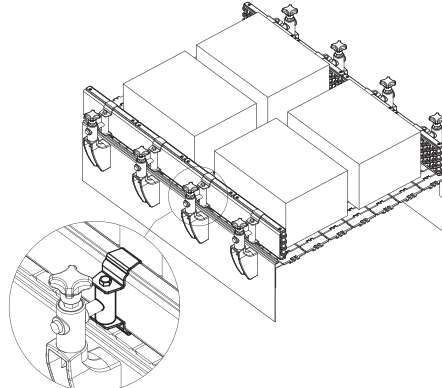
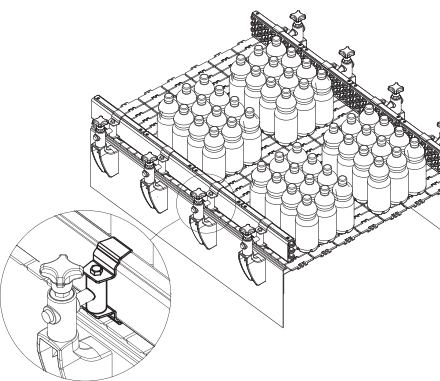
MPG-R-SST-1

MPG-R-SST-2

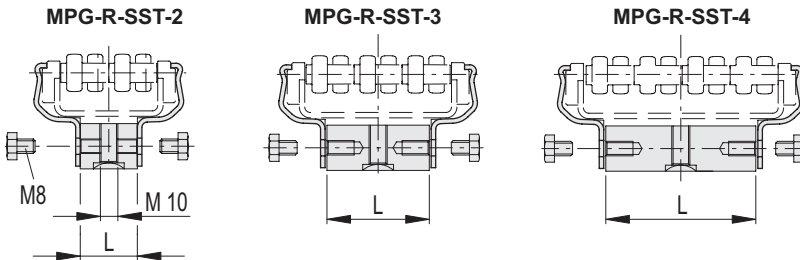
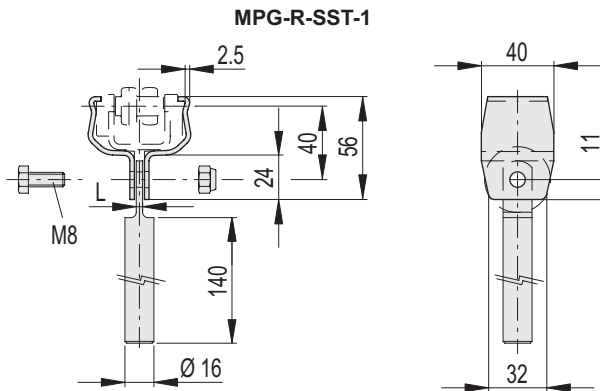


MPG-R-SST-3

MPG-R-SST-4



Levelling feet and supports



Conversion Table	
1 mm = 0.039 inch	
mm	inch
3.5	0.14
31	1.21
56	2.18
82	3.20

MPG-R-SST-1 INOX STAINLESS STEEL METRIC

Code	Description	L	Linear guide rails	⚖️
419352	MPG-R-SST-1	3.5	GLD-1-SST	220

MPG-R-SST-2 INOX STAINLESS STEEL METRIC

Code	Description	L	Linear guide rails	⚖️
419354	MPG-R-SST-2	31	GLD-2-SST	410

MPG-R-SST-3 INOX STAINLESS STEEL

Code	Description	L	Linear guide rails	⚖️
419362	MPG-R-SST-3	56	GLD-3-SST	220

MPG-R-SST-4 INOX STAINLESS STEEL

Code	Description	L	Linear guide rails	⚖️
419364	MPG-R-SST-4	82	GLD-4-SST	410