

- 1
- 2
- 3
- 4
- 5
- 6
- 7
- 8
- 9
- 10
- 11
- 12
- 13
- 14
- 15
- 16
- 17
- 18
- 19

MATERIAL

Zinc-plated steel.

STANDARD EXECUTIONS

- **MPG-R-AZ-1**: for one-track roller side guides.
- **MPG-R-AZ-2**: for two-track roller side guides.
- **MPG-R-AZ-3**: for three-track roller side guides.
- **MPG-R-AZ-4**: for four-track roller side guides.

FEATURES AND APPLICATIONS

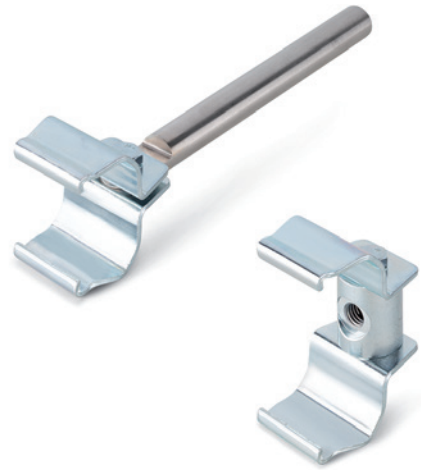
The MPG-R-AZ guide rail clamps are used for fixing the GLD-AZ side guides.

They are supplied in kits including clamps, pin, screw and nut (MPG-R-AZ-1), or clamps, screws and spacer (MPG-R-AZ-2 / MPG-R-AZ-3 / MPG-R-AZ-4).

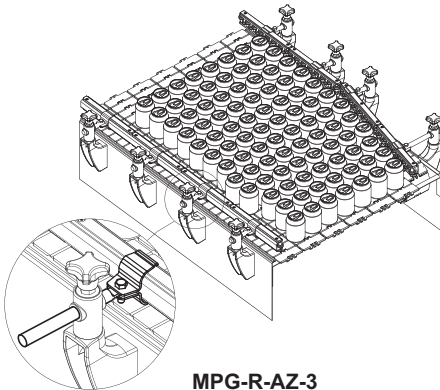
Supplied unassembled

ACCESSORIES ON REQUEST

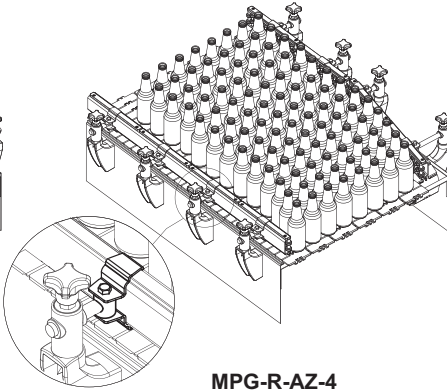
MPG-P: fixing pin (419513 MPG-P16-M10x17) for use in combination with MPG-R-AZ-2 / MPG-R-AZ-3 / MPG-R-AZ-4 clamps.



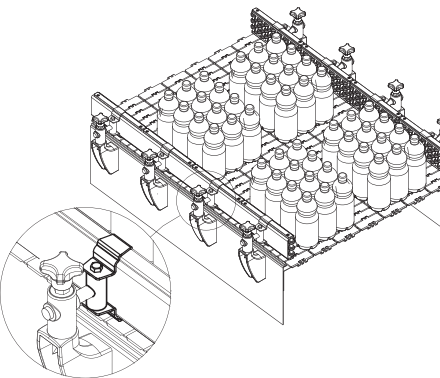
MPG-R-AZ-1



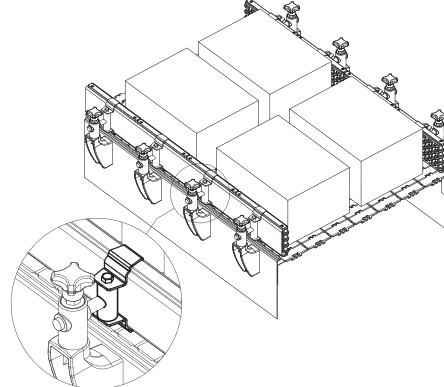
MPG-R-AZ-2



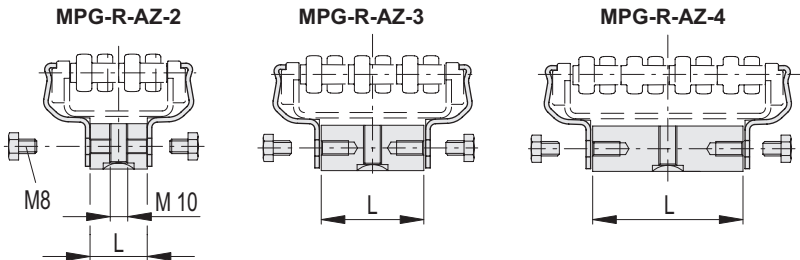
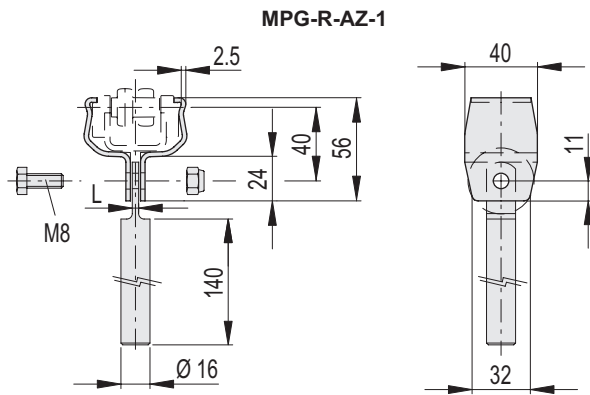
MPG-R-AZ-3



MPG-R-AZ-4



Levelling feet and supports



Conversion Table
1 mm = 0.039 inch

mm	inch
3.5	0.14
31	1.21
56	2.18
82	3.20

MPG-R-AZ-1 METRIC

Code	Description	L	Linear guide rails	⚖
419351	MPG-R-AZ-1	3.5	GLD-1-AZ	350

MPG-R-AZ-2 METRIC

Code	Description	L	Linear guide rails	⚖
419353	MPG-R-AZ-2	31	GLD-2-AZ	310

MPG-R-AZ-3

Code	Description	L	Linear guide rails	⚖
419361	MPG-R-AZ-3	56	GLD-3-AZ	350

MPG-R-AZ-4

Code	Description	L	Linear guide rails	⚖
419363	MPG-R-AZ-4	82	GLD-4-AZ	310