

MOBS-PR | Clamps with extended lever, horizontal series

with straight base and anti-release lever, steel



MATERIAL
C10 zinc-plated steel.



RIVETS
Zinc-plated steel.



SUPPORT BUSHINGS
Ground and hardened steel.



HANDLE
Polyurethane, red colour.



LEVER ANTI-RELEASE COVERING
Polyvinylchloride (PVC).



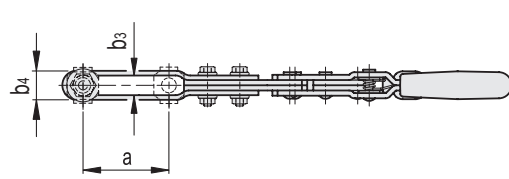
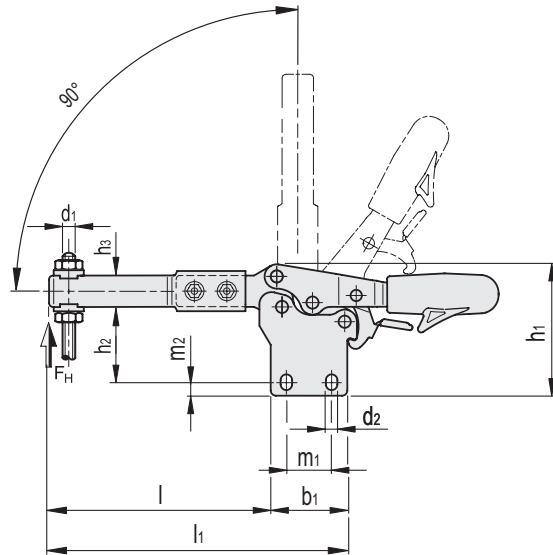
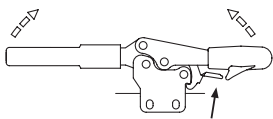
SPRING
AISI 302 stainless steel.



CLAMPING BOLT
To be ordered separately.



FEATURES AND APPLICATIONS
Safety stop to prevent accidental opening or closing in the presence of strong vibrations.
The operator's fingers cannot be hit by the lever while opening.
During clamping, the lever is controlled to prevent impact on functioning due to side thrust.
The main characteristic of the MOBS-PR clamp is the special extension of the locking arm to assist the specific use in checking templates.



METRIC

Code	Description	a	b1	b3	b4	d1	d2	h1	h2	h3	l	l1	m1	m2	FH [N]*	$\Delta\Delta$
GG.AD151	MOBS-PR.130/PLS	67.5	36	6.3	11.3	M5	5.6	64.5	35+38	16	135	171	26	5.8+8.8	600	295
GG.AD297	MOBS-PR.230/PLS	71.5	44	8.2	14.2	M6	6.6	75.5	42+44.5	18	152	196	26	6.5	1100	485

Toggle and fastening clamps

* Holding force.