



**MATERIAL**  
C10 zinc-plated steel.



**RIVETS**  
Zinc-plated steel.



**SUPPORT BUSHINGS**  
Ground and hardened steel.



**HANDLE**  
Polyurethane, red colour.



**LEVER ANTI-RELEASE COVERING**  
Polyvinylchloride (PVC).



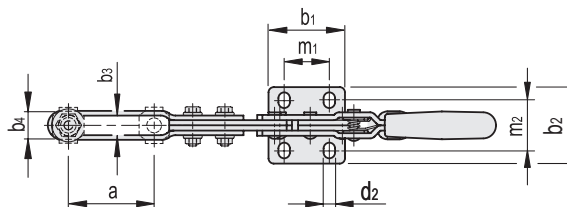
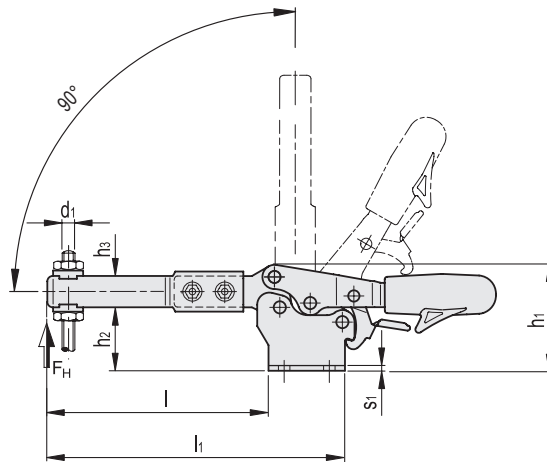
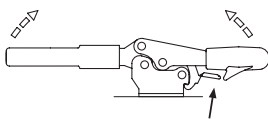
**CLAMPING BOLT**  
To be ordered separately.



**SPRING**  
AISI 302 stainless steel.



**FEATURES AND APPLICATIONS**  
Safety stop to prevent accidental opening or closing in the presence of strong vibrations.  
The operator's fingers cannot be hit by the lever while opening.  
During clamping, the lever is controlled to prevent impact on functioning due to side thrust.  
The main characteristic of the MOAS-PR clamp is the special extension of the locking arm to assist the specific use in checking templates.



Toggle and fastening clamps

**METRIC**

Code	Description	a	b1	b2	b3	b4	d1	d2	h1	h2	h3	l	l1	m1	m2	s1	FH [N]*	⚠
GG.AD146	MOAS-PR.130/OLS	67.5	36	40	6.3	11.3	M5	5.6	51	30.5	16	135	171	26	22.4+28.4	2.5	600	295
GG.AD295	MOAS-PR.230/OLS	71.5	44	44	8.2	14.2	M6	6.6	61.5	36.5	18	152	196	26	26+31.5	3	1100	485

84 \* Holding force.

