



- 1
- 2
- 3
- 4
- 5
- 6**
- 7
- 8
- 9
- 10
- 11
- 12
- 13
- 14
- 15
- 16
- 17
- 18

MATERIAL

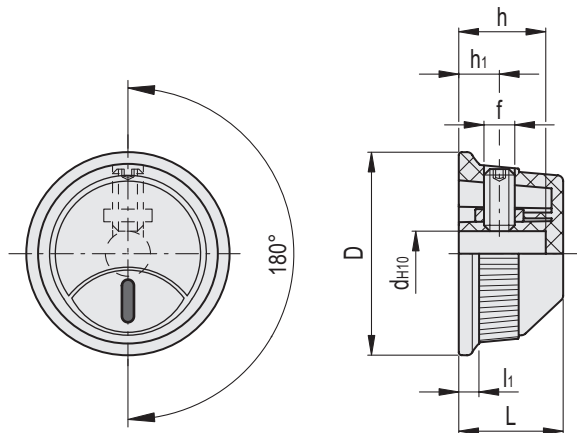
Phenolic based (PF) Duroplast chrome-plated, glossy finish.
Black pad-printed pointer, placed at 180° from the transversal grub screw.

STANDARD EXECUTION

Plain blind hole, assembly by means of a transversal grub screw according to UNI 5929-85 in AISI 304 stainless steel (grub screw with hexagonal socket and cup end) which screws into the AISI 304 stainless steel nut.
Supplied.



ELESA Original design



Conversion Table	
1 mm = 0.039 inch	
D	
mm	inch
35	1.38
40	1.57
45	1.77

Control elements

2



Code	Description	D	dH10	L	l1	h	h1	f	⚖
152851	MI.404/35-CR N-6	35	6	18	3.5	15	7	M5	12
152853	MI.404/40-CR N-8	40	8	20.5	4	17.5	7	M5	19
152855	MI.404/45-CR N-8	45	8	23	5	15	10	M5	21