



- 1
- 2
- 3
- 4
- 5
- 6
- 7
- 8
- 9
- 10
- 11
- 12
- 13
- 14
- 15
- 16
- 17
- 18

MATERIAL

Phenolic based (PF) Duroplast chrome-plated, glossy finish.
Black pad-printed pointer, placed at 180° from the transversal grub screw.

STANDARD EXECUTION

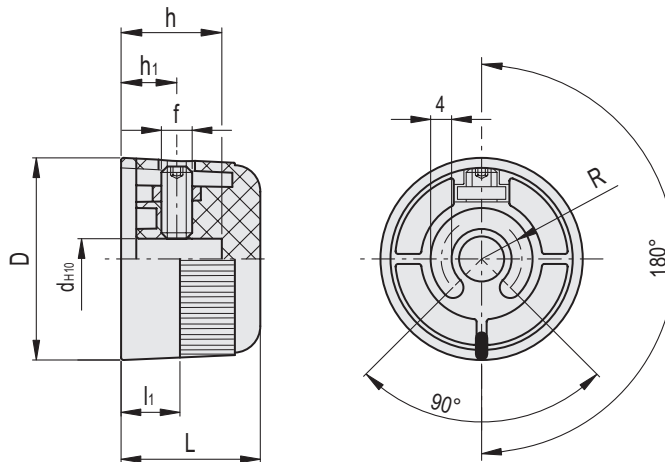
Plain blind hole, assembly by means of a transversal grub screw according to UNI 5929-85 in AISI 304 stainless steel (grub screw with hexagonal socket and cup end) which screws into the AISI 304 stainless steel nut.
Supplied.

FEATURES

A limited manoeuvre angle is possible by fitting stop pins in the rear guide slot.



ELESA Original design



| Conversion Table | |
|-------------------|------|
| 1 mm = 0,039 inch | |
| D | |
| mm | inch |
| 35 | 1.38 |
| 40 | 1.57 |
| 46 | 1.81 |

Control elements

2



| Code | Description | D | dH10 | L | l1 | h | h1 | f | R | |
|--------|------------------|----|------|------|------|------|----|----|-----|----|
| 152861 | MI.304/35-CR N-6 | 35 | 6 | 24.5 | 10 | 18 | 11 | M5 | 6.2 | 21 |
| 152863 | MI.304/40-CR N-8 | 40 | 8 | 27.5 | 11.5 | 20 | 11 | M5 | 8 | 30 |
| 152865 | MI.304/45-CR N-8 | 46 | 8 | 29.5 | 12.5 | 21.5 | 11 | M5 | 8.4 | 41 |