

- 1
- 2
- 3
- 4
- 5
- 6
- 7
- 8
- 9
- 10
- 11
- 12
- 13
- 14
- 15
- 16
- 17
- 18
- 19

MATERIAL

AISI 304 stainless steel.

RIVETS

AISI 304 stainless steel.

PUSH LEVER

AISI 304 stainless steel.

GUIDE BUSHINGS

AISI 303 stainless steel.

NUT

AISI 304 stainless steel.

HANDLE

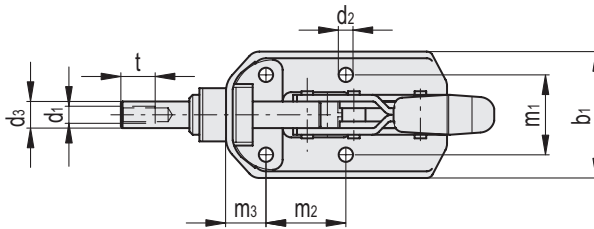
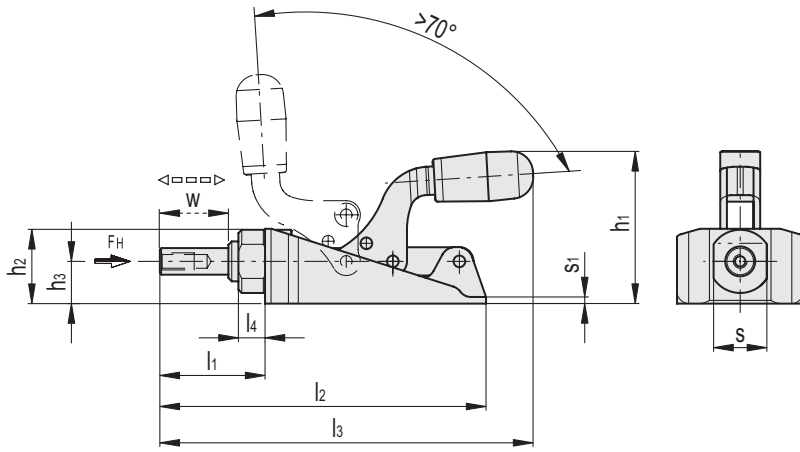
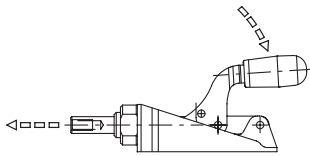
Polyurethane, red colour.

CLAMPING BOLT

to be ordered separately

FEATURES AND APPLICATIONS

All articulated joints are lubricated with special grease.
MFB-SST clamps ensure only perfect push clamping.



Code	Description	b1	d1	d2	d3	h1	h2	h3	l1	l2	l3	l4	m1	m2	m3	s	s1	t	w Stroke	FH* [N]	Δ
GG.AS383	MFB.85-ASX	38	M5	4.3	8	46	22.5	12.7	31.5	98	112	8	24	24	12	16	2	10	15	4000	142
GG.AS385	MFB.125-ASX	48	M6	5.5	12	62	30	17	41	126	165	10	30	34	18	22	2.5	12	19	5200	343
GG.AS387	MFB.305-ASX	58	M8	6.5	14	74	36	20	53	158	197	12	34	50	18	24	3	16	25	6750	615

* Holding force.