

- 1
- 2
- 3
- 4
- 5
- 6
- 7
- 8
- 9
- 10
- 11
- 12
- 13
- 14
- 15
- 16
- 17
- 18
- 19

**MATERIAL**

AISI 304 stainless steel.

**RIVETS**

AISI 304 stainless steel.

**PUSH LEVER**

AISI 304 stainless steel.

**GUIDE BUSHINGS**

AISI 303 stainless steel.

**NUT**

AISI 304 stainless steel.

**HANDLE**

Polyurethane, red colour.

**ANTI RELEASE LEVER**

AISI 304 stainless steel.

**LEVER ANTI-RELEASE COVERING**

Polyurethane, red colour.

**SPRING**

AISI 302 stainless steel.

**CLAMPING BOLT**

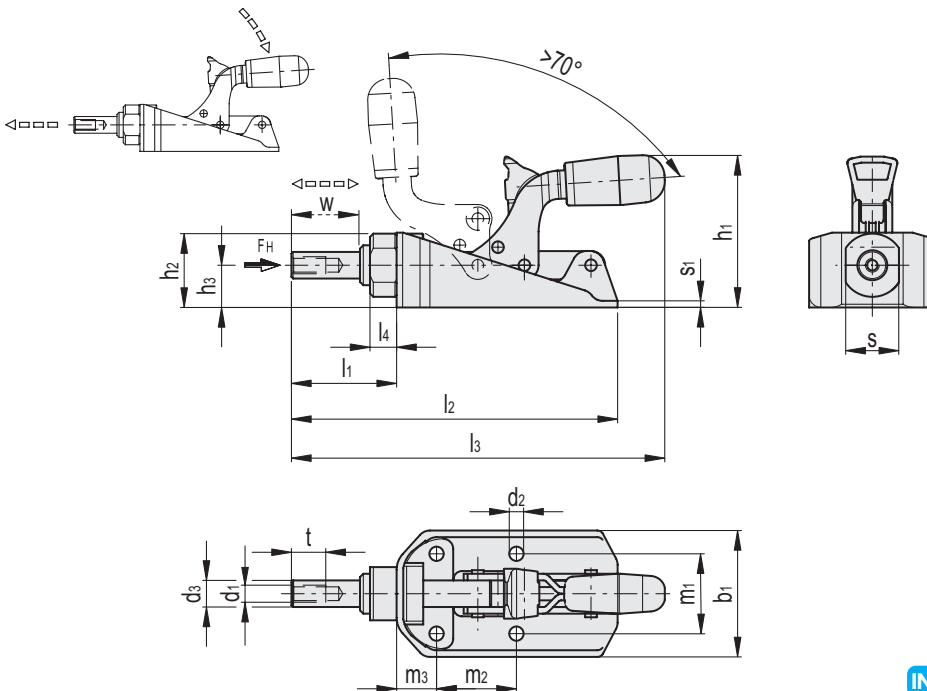
to be ordered separately

**FEATURES AND APPLICATIONS**

Anti-release lever to prevent accidental opening in the presence of strong vibrations.

All articulated joints are lubricated with special grease.

MFB-SST clamps ensure only perfect push clamping.



Code	Description	b1	d1	d2	d3	h1	h2	h3	l1	l2	l3	l4	m1	m2	m3	s	s1	t	w	FH*	$\Delta$
																			Stroke	[N]	
GG.AS389	MFB-S.85-ASLX	38	M5	4.3	8	46	22.5	12.7	31.5	98	112	8	24	24	12	16	2	10	15	4000	146
GG.AS391	MFB-S.125-ASLX	48	M6	5.5	12	62	30	17	41	126	165	10	30	34	18	22	2.5	12	19	5200	352
GG.AS393	MFB-S.305-ASLX	58	M8	6.5	14	74	36	20	53	158	197	12	34	50	18	24	3	16	25	6750	620

\* Holding force.