

- 1
- 2
- 3
- 4
- 5
- 6
- 7
- 8
- 9
- 10
- 11
- 12
- 13
- 14
- 15
- 16
- 17
- 18

PASS-THROUGH HANDLE SHANKS

Glass-fibre reinforced polyamide based (PA) technopolymer, matte finish.

To prevent tube rotation, screw up to the stop the self-tapping screw $\varnothing 3,9 \times 6,5$ arranged inside the handle shank.

CLOSING CAPS

- ECS.T: Polyamide based (PA) technopolymer, white colour similar to RAL 9002, matte finish, press-fit assembly (Fig.1): Supplied, removable by a screwdriver.

Available also as accessory sold separately (see table).

END CAPS

Polyamide based (PA) technopolymer, matte finish.

MOUNTING

Pass-through hole for front or rear mounting by means of cylindrical-head screws with hexagon socket, hexagonal-head screws or standard nuts.

STANDARD EXECUTION

- Aluminium tube, coating in white colour similar to RAL 9002, handle shanks and closing caps in white colour similar to RAL 9002 (CLEAN).

TECHNICAL DATA

Tubular handles are characterised by a variable handle shank, the handle shanks being adjustable on the tube by means of the set screw. Tensile stress: F values reported in the table are the result of breaking tests carried out with the appropriate dynamometric equipment under the test conditions shown in the figure with ambient temperature.

SPECIAL EXECUTIONS ON REQUEST

- Different lengths.

ACCESSORIES ON REQUEST

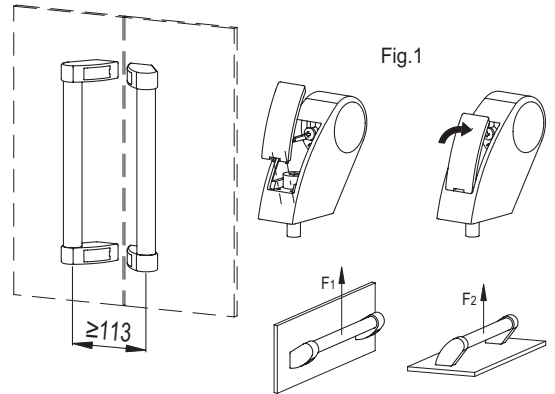
- ECS.T: polyamide based (PA) technopolymer closing cap, RAL 9002 white, matte finish, press-fit assembly (see table). For sufficient quantities, it can be supplied in other colours.

ECS.T

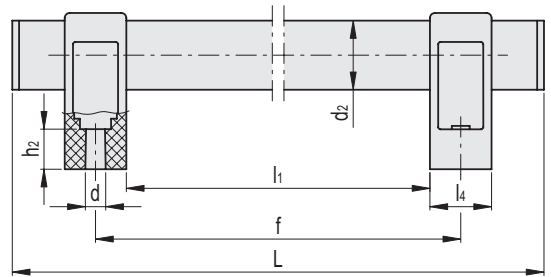
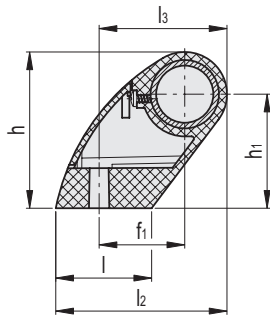
Code	Description
29882	ECS.T2-CLEAN



ELESA Original design



Conversion Table			
1 mm = 0.039 inch			
L		d	
mm	inch	mm	inch
324	12.75	8.5	0.33
374	14.72		
424	16.69		
524	20.63		
624	24.57		
724	28.50		



METRIC

Code	Description	d2	fmax±1	f1	L	d	h	h1	h2	l	l1 max.	l2	l3	l4	F1 [N]*	F1 [N]#	F2 [N]*	F2 [N]#	Δ
151481	M.1053 P/30-295-CLEAN	30	295	37.5	324	8.5	68.5	50	17.5	42	268	75	56	27	1850	3400	2500	4000	231
151483	M.1053 P/30-345-CLEAN	30	345	37.5	374	8.5	68.5	50	17.5	42	318	75	56	27	1650	3150	2000	3300	249
151485	M.1053 P/30-395-CLEAN	30	395	37.5	424	8.5	68.5	50	17.5	42	368	75	56	27	1450	2600	1900	3000	266
151487	M.1053 P/30-495-CLEAN	30	495	37.5	524	8.5	68.5	50	17.5	42	468	75	56	27	1300	2000	1500	1900	301
151489	M.1053 P/30-595-CLEAN	30	595	37.5	624	8.5	68.5	50	17.5	42	568	75	56	27	1100	1900	1200	1800	336
151491	M.1053 P/30-695-CLEAN	30	695	37.5	724	8.5	68.5	50	17.5	42	668	75	56	27	1000	1600	1100	1500	371

* Maximum working load # Load at breakage.