



- 1
- 2
- 3
- 4
- 5
- 6
- 7
- 8
- 9
- 10
- 11
- 12
- 13
- 14
- 15
- 16
- 17
- 18

HANDLE SHANKS

Glass-fibre reinforced polyamide based (PA) technopolymer, matte finish.

To prevent tube rotation, screw up to the stop the self-tapping screw $\varnothing 3,9 \times 6,5$ arranged inside the handle shank.

CLOSING CAPS

- ECS.T: Polyamide based (PA) technopolymer, white colour similar to RAL 9002, matte finish, press-fit assembly (Fig.1). Supplied, removable by a screwdriver.

Available also as accessory sold separately (see table).

MOUNTING

Pass-through hole for front or rear mounting by means of cylindrical-head screws with hexagon socket, hexagonal-head screws or standard nuts.

STANDARD EXECUTION

- Aluminium tube, coating in white colour similar to RAL 9002, handle shanks and closing caps in white colour similar to RAL 9002 (CLEAN).

TECHNICAL DATA

Tensile stress: F values reported in the table are the result of breaking tests carried out with the appropriate dynamometric equipment under the test conditions shown in the figure with ambient temperature.

SPECIAL EXECUTIONS ON REQUEST

- Different lengths.

ACCESSORIES ON REQUEST

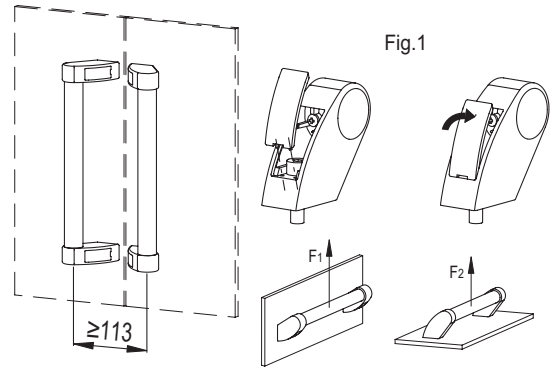
- ECS.T: polyamide based (PA) technopolymer closing caps RAL 9002 white, matte finish, press-fit assembly (see table). For sufficient quantities, it can be supplied in other colours.

ECS.T

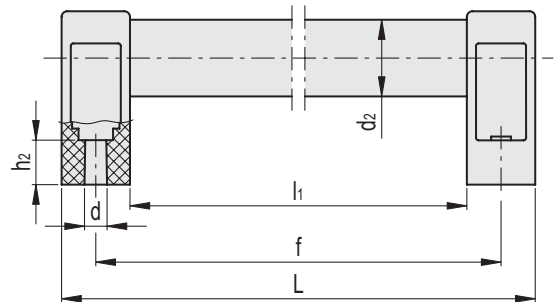
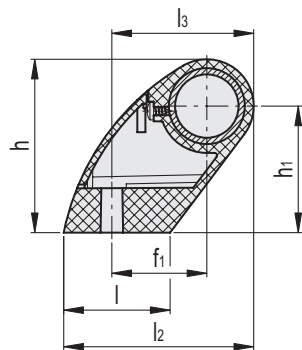
Code	Description
29882	ECS.T2-CLEAN



ELESA Original design



Conversion Table			
1 mm = 0.039 inch			
L		d	
mm	inch	mm	inch
327	12.87	8.5	0.33
377	14.84		
427	16.81		
527	20.75		
627	24.68		
727	28.62		



Code	Description	d2	f±1	f1	L	d	h	h1	h2	l	l1	l2	l3	F1 [N]*	F1 [N]#	F2 [N]*	F2 [N]#	⚖
151461	M.1053/30-300-CLEAN	30	300	37.5	327	8.5	68.5	50	17.5	42	273	75	56	1850	3400	2500	4000	231
151463	M.1053/30-350-CLEAN	30	350	37.5	377	8.5	68.5	50	17.5	42	323	75	56	1650	3150	2000	3300	249
151465	M.1053/30-400-CLEAN	30	400	37.5	427	8.5	68.5	50	17.5	42	373	75	56	1450	2600	1900	3000	266
151467	M.1053/30-500-CLEAN	30	500	37.5	527	8.5	68.5	50	17.5	42	473	75	56	1300	2000	1500	1900	301
151469	M.1053/30-600-CLEAN	30	600	37.5	627	8.5	68.5	50	17.5	42	573	75	56	1100	1900	1200	1800	336
151471	M.1053/30-700-CLEAN	30	700	37.5	727	8.5	68.5	50	17.5	42	673	75	56	1000	1600	1100	1500	371