



- 1
- 2
- 3
- 4
- 5
- 6
- 7
- 8
- 9
- 10
- 11
- 12
- 13
- 14
- 15
- 16
- 17
- 18
- 19

BASE

Glass-fibre reinforced polyamide based (PA) technopolymer, RAL 5005 blue colour, matte finish.
Produced from FDA compliant raw material (FDA CFR.21 and EU 10/2011).

ARTICULATED STEM

Threaded AISI 304 stainless steel with regulation hexagon.

STANDARD EXECUTIONS

- **LV.A-SST-VD**: without no-slip disk.
- **LV.A-AS-SST-VD**: with NBR rubber no-slip disk, hardness 70 Shore A, supplied assembled to the base.

FEATURES AND APPLICATIONS

The RAL 5005 blue colour is easily visible in case of accidental food contamination.
The special knurling under the lower lip of the base provides excellent stability and grip when using the levelling element without no-slip disk even on surfaces that are not perfectly flat.
The particular assembling system of the no-slip disk to the base assures a perfect anchoring, preventing separation even in case of impact during transport or of adhesion (sticking) to the floor (see No-slip disks on page 835).

ORDER INFORMATION

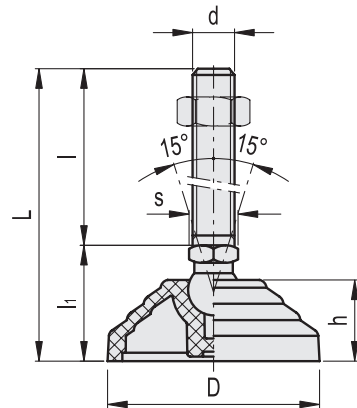
The levelling elements are supplied unassembled to make carriage and storage easier. The components (base and stem) are supplied in separate packing: less volume taken and better protection from scratches and dirt.
To order bases and stems separately, see:
- table of possible combinations Bases/Stems (see page 839)
- the codes of the Bases (see page 836)
- the codes of the Stems (see page 985).

ACCESSORIES ON REQUEST

AISI 304 stainless steel nut (see Nuts NT. on page 835).



ELESA Original design

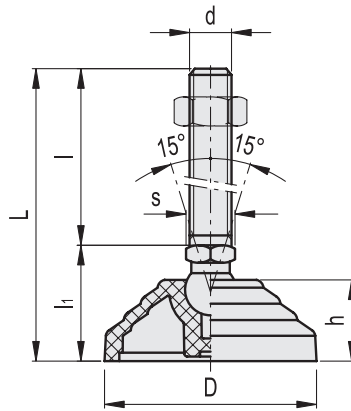


LV.A-SST-VD

Code	Description	D	d2A	L	l	l1	h	s	Articulation Ø	Max. limit static load* [lbf]	⚖️
90183101	LV.A-60-14-SST-3/8-16X2-VD	2.36	3/8-16	3.30	2	1.30	0.94	9/16	0.55	3147.33	0.18
90183103	LV.A-60-14-SST-3/8-16X4-VD	2.36	3/8-16	5.30	4	1.30	0.94	9/16	0.55	3147.33	0.28
90183105	LV.A-60-14-SST-3/8-16X6-VD	2.36	3/8-16	7.30	6	1.30	0.94	9/16	0.55	3147.33	0.18
90183121	LV.A-60-14-SST-1/2-13X2-VD	2.36	1/2-13	3.30	2	1.30	0.94	9/16	0.55	3147.33	0.20
90183123	LV.A-60-14-SST-1/2-13X4-VD	2.36	1/2-13	5.30	4	1.30	0.94	9/16	0.55	3147.33	0.30
90183125	LV.A-60-14-SST-1/2-13X6-VD	2.36	1/2-13	7.30	6	1.30	0.94	9/16	0.55	3147.33	0.28
90183141	LV.A-60-14-SST-5/8-11X4-VD	2.36	5/8-11	5.30	4	1.30	0.94	5/8	0.55	3147.33	0.41
90183143	LV.A-60-14-SST-5/8-11X6-VD	2.36	5/8-11	7.30	6	1.30	0.94	5/8	0.55	3147.33	0.57
90183145	LV.A-60-14-SST-5/8-11X8-VD	2.36	5/8-11	9.30	8	1.30	0.94	5/8	0.55	3147.33	0.63
90323621	LV.A-60-24-SST-5/8-11X4-VD	2.36	5/8-11	5.69	4	1.69	0.94	15/16	0.94	4046.56	0.60
90323626	LV.A-60-24-SST-5/8-11X6-VD	2.36	5/8-11	7.69	6	1.69	0.94	15/16	0.94	4046.56	0.72
90323641	LV.A-60-24-SST-5/8-11X8-VD	2.36	5/8-11	9.69	8	1.69	0.94	15/16	0.94	4046.56	0.78
90323726	LV.A-60-24-SST-3/4-10X4-VD	2.36	3/4-10	5.69	4	1.69	0.94	15/16	0.94	4046.56	0.77
90323741	LV.A-60-24-SST-3/4-10X6-VD	2.36	3/4-10	7.69	6	1.69	0.94	15/16	0.94	4046.56	0.94
90323761	LV.A-60-24-SST-3/4-10X8-VD	2.36	3/4-10	9.69	8	1.69	0.94	15/16	0.94	4046.56	1.22

* The max static load is the value above which the load applied to the element may cause some plastic material breakage, in particular conditions of use. Obviously, a factor that takes into consideration the importance and the safety level of the specific application must be applied to this value.

Levelling elements and supports

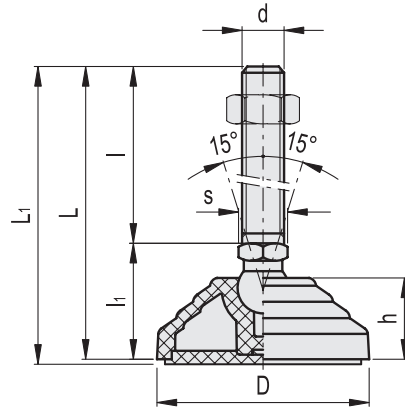
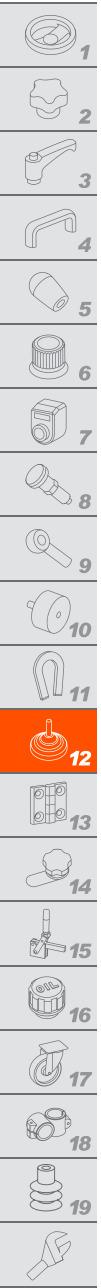


INOX STAINLESS STEEL INCH

LV.A-SST-VD

Code	Description	D	d2A	L	l	l1	h	s	Articulation Ø	Max. limit static load* [lb]	⚖️
90183201	LV.A-70-14-SST-3/8-16X2-VD	2.76	3/8-16	3.10	2	1.10	0.75	9/16	0.55	3147.33	0.18
90183203	LV.A-70-14-SST-3/8-16X4-VD	2.76	3/8-16	5.10	4	1.10	0.75	9/16	0.55	3147.33	0.28
90183205	LV.A-70-14-SST-3/8-16X6-VD	2.76	3/8-16	7.10	6	1.10	0.75	9/16	0.55	3147.33	0.18
90183221	LV.A-70-14-SST-1/2-13X2-VD	2.76	1/2-13	3.10	2	1.10	0.75	9/16	0.55	3147.33	0.20
90183223	LV.A-70-14-SST-1/2-13X4-VD	2.76	1/2-13	5.10	4	1.10	0.75	9/16	0.55	3147.33	0.30
90183225	LV.A-70-14-SST-1/2-13X6-VD	2.76	1/2-13	7.10	6	1.10	0.75	9/16	0.55	3147.33	0.28
90183241	LV.A-70-14-SST-5/8-11X4-VD	2.76	5/8-11	5.10	4	1.10	0.75	5/8	0.55	3147.33	0.41
90183243	LV.A-70-14-SST-5/8-11X6-VD	2.76	5/8-11	7.10	6	1.10	0.75	5/8	0.55	3147.33	0.57
90183245	LV.A-70-14-SST-5/8-11X8-VD	2.76	5/8-11	9.10	8	1.10	0.75	5/8	0.55	3147.33	0.63
90183301	LV.A-80-14-SST-3/8-16X2-VD	3.15	3/8-16	3.30	2	1.30	0.94	9/16	0.55	3596.94	0.24
90183303	LV.A-80-14-SST-3/8-16X4-VD	3.15	3/8-16	5.30	4	1.30	0.94	9/16	0.55	3596.94	0.35
90183305	LV.A-80-14-SST-3/8-16X6-VD	3.15	3/8-16	7.30	6	1.30	0.94	9/16	0.55	3596.94	0.24
90183321	LV.A-80-14-SST-1/2-13X2-VD	3.15	1/2-13	3.30	2	1.30	0.94	9/16	0.55	3596.94	0.26
90183323	LV.A-80-14-SST-1/2-13X4-VD	3.15	1/2-13	5.30	4	1.30	0.94	9/16	0.55	3596.94	0.36
90183325	LV.A-80-14-SST-1/2-13X6-VD	3.15	1/2-13	7.30	6	1.30	0.94	9/16	0.55	3596.94	0.35
90183341	LV.A-80-14-SST-5/8-11X4-VD	3.15	5/8-11	5.30	4	1.30	0.94	5/8	0.55	3596.94	0.47
90183343	LV.A-80-14-SST-5/8-11X6-VD	3.15	5/8-11	7.30	6	1.30	0.94	5/8	0.55	3596.94	0.63
90183345	LV.A-80-14-SST-5/8-11X8-VD	3.15	5/8-11	9.30	8	1.30	0.94	5/8	0.55	3596.94	0.69
90324621	LV.A-80-24-SST-5/8-11X4-VD	3.15	5/8-11	5.69	4	1.69	0.94	15/16	0.94	4046.56	0.65
90324626	LV.A-80-24-SST-5/8-11X6-VD	3.15	5/8-11	7.69	6	1.69	0.94	15/16	0.94	4046.56	0.77
90324641	LV.A-80-24-SST-5/8-11X8-VD	3.15	5/8-11	9.69	8	1.69	0.94	15/16	0.94	4046.56	0.83
90324726	LV.A-80-24-SST-3/4-10X4-VD	3.15	3/4-10	5.69	4	1.69	0.94	15/16	0.94	4046.56	0.82
90324741	LV.A-80-24-SST-3/4-10X6-VD	3.15	3/4-10	7.69	6	1.69	0.94	15/16	0.94	4046.56	0.99
90324761	LV.A-80-24-SST-3/4-10X8-VD	3.15	3/4-10	9.69	8	1.69	0.94	15/16	0.94	4046.56	1.27
90183401	LV.A-100-14-SST-3/8-16X2-VD	3.94	3/8-16	3.30	2	1.30	0.94	9/16	0.55	4046.56	0.30
90183402	LV.A-100-14-SST-3/8-16X4-VD	3.94	3/8-16	5.30	4	1.30	0.94	9/16	0.55	4046.56	0.41
90183403	LV.A-100-14-SST-3/8-16X6-VD	3.94	3/8-16	7.30	6	1.30	0.94	9/16	0.55	4046.56	0.30
90183421	LV.A-100-14-SST-1/2-13X2-VD	3.94	1/2-13	3.30	2	1.30	0.94	9/16	0.55	4046.56	0.32
90183423	LV.A-100-14-SST-1/2-13X4-VD	3.94	1/2-13	5.30	4	1.30	0.94	9/16	0.55	4046.56	0.42
90183425	LV.A-100-14-SST-1/2-13X6-VD	3.94	1/2-13	7.30	6	1.30	0.94	9/16	0.55	4046.56	0.41
90183441	LV.A-100-14-SST-5/8-11X4-VD	3.94	5/8-11	5.30	4	1.30	0.94	5/8	0.55	4046.56	0.53
90183443	LV.A-100-14-SST-5/8-11X6-VD	3.94	5/8-11	7.30	6	1.30	0.94	5/8	0.55	4046.56	0.69
90183445	LV.A-100-14-SST-5/8-11X8-VD	3.94	5/8-11	9.30	8	1.30	0.94	5/8	0.55	4046.56	0.75
90183451	LV.A-100-24-SST-5/8-11X4-VD	3.94	5/8-11	5.69	4	1.69	0.94	15/16	0.94	5620.22	0.72
90183453	LV.A-100-24-SST-5/8-11X6-VD	3.94	5/8-11	7.69	6	1.69	0.94	15/16	0.94	5620.22	0.84
90183455	LV.A-100-24-SST-5/8-11X8-VD	3.94	5/8-11	9.69	8	1.69	0.94	15/16	0.94	5620.22	0.90
90183461	LV.A-100-24-SST-3/4-10X4-VD	3.94	3/4-10	5.69	4	1.69	0.94	15/16	0.94	5620.22	0.89
90183463	LV.A-100-24-SST-3/4-10X6-VD	3.94	3/4-10	7.69	6	1.69	0.94	15/16	0.94	5620.22	1.06
90183465	LV.A-100-24-SST-3/4-10X8-VD	3.94	3/4-10	9.69	8	1.69	0.94	15/16	0.94	5620.22	1.34
90183501	LV.A-125-24-SST-5/8-11X4-VD	4.92	5/8-11	6.64	4	2.64	1.81	15/16	0.94	6294.65	0.97
90183503	LV.A-125-24-SST-5/8-11X6-VD	4.92	5/8-11	8.64	6	2.64	1.81	15/16	0.94	6294.65	1.08
90183505	LV.A-125-24-SST-5/8-11X8-VD	4.92	5/8-11	10.64	8	2.64	1.81	15/16	0.94	6294.65	1.14
90183511	LV.A-125-24-SST-3/4-10X4-VD	4.92	3/4-10	6.64	4	2.64	1.81	15/16	0.94	6294.65	1.13
90183513	LV.A-125-24-SST-3/4-10X6-VD	4.92	3/4-10	8.64	6	2.64	1.81	15/16	0.94	6294.65	1.30
90183515	LV.A-125-24-SST-3/4-10X8-VD	4.92	3/4-10	10.64	8	2.64	1.81	15/16	0.94	6294.65	1.59

* The max static load is the value above which the load applied to the element may cause some plastic material breakage, in particular conditions of use. Obviously, a factor that takes into consideration the importance and the safety level of the specific application must be applied to this value.

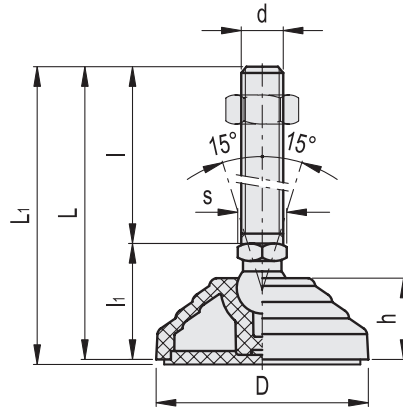


LV.A-AS-VD

Code	Description	D	d2A	L	L1	l	l1	h	s	Articulation Ø	Max. limit static load* [lbf]	⚖️
90184101	LV.A-60-14-AS-SST-3/8-16X2-VD	2.36	3/8-16	3.30	3.42	2	1.30	0.94	9/16	0.55	3147.33	0.22
90184103	LV.A-60-14-AS-SST-3/8-16X4-VD	2.36	3/8-16	5.30	5.42	4	1.30	0.94	9/16	0.55	3147.33	0.32
90184105	LV.A-60-14-AS-SST-3/8-16X6-VD	2.36	3/8-16	7.30	7.42	6	1.30	0.94	9/16	0.55	3147.33	0.22
90184121	LV.A-60-14-AS-SST-1/2-13X2-VD	2.36	1/2-13	3.30	3.42	2	1.30	0.94	9/16	0.55	3147.33	0.24
90184123	LV.A-60-14-AS-SST-1/2-13X4-VD	2.36	1/2-13	5.30	5.42	4	1.30	0.94	9/16	0.55	3147.33	0.34
90184125	LV.A-60-14-AS-SST-1/2-13X6-VD	2.36	1/2-13	7.30	7.42	6	1.30	0.94	9/16	0.55	3147.33	0.32
90184141	LV.A-60-14-AS-SST-5/8-11X4-VD	2.36	5/8-11	5.30	5.42	4	1.30	0.94	5/8	0.55	3147.33	0.45
90184143	LV.A-60-14-AS-SST-5/8-11X6-VD	2.36	5/8-11	7.30	7.42	6	1.30	0.94	5/8	0.55	3147.33	0.61
90184145	LV.A-60-14-AS-SST-5/8-11X8-VD	2.36	5/8-11	9.30	9.42	8	1.30	0.94	5/8	0.55	3147.33	0.67
90327621	LV.A-60-24-AS-SST-5/8-11X4-VD	2.36	5/8-11	5.69	5.81	4	1.69	0.94	15/16	0.94	4046.56	0.22
90327626	LV.A-60-24-AS-SST-5/8-11X6-VD	2.36	5/8-11	7.69	7.81	6	1.69	0.94	15/16	0.94	4046.56	0.33
90327641	LV.A-60-24-AS-SST-5/8-11X8-VD	2.36	5/8-11	9.69	9.81	8	1.69	0.94	15/16	0.94	4046.56	0.23
90327726	LV.A-60-24-AS-SST-3/4-10X4-VD	2.36	3/4-10	5.69	5.81	4	1.69	0.94	15/16	0.94	4046.56	0.24
90327741	LV.A-60-24-AS-SST-3/4-10X6-VD	2.36	3/4-10	7.69	7.81	6	1.69	0.94	15/16	0.94	4046.56	0.35
90327761	LV.A-60-24-AS-SST-3/4-10X8-VD	2.36	3/4-10	9.69	9.81	8	1.69	0.94	15/16	0.94	4046.56	0.33
90184201	LV.A-70-14-AS-SST-3/8-16X2-VD	2.76	3/8-16	3.10	3.22	2	1.10	0.75	9/16	0.55	3147.33	0.45
90184203	LV.A-70-14-AS-SST-3/8-16X4-VD	2.76	3/8-16	5.10	5.22	4	1.10	0.75	9/16	0.55	3147.33	0.62
90184205	LV.A-70-14-AS-SST-3/8-16X6-VD	2.76	3/8-16	7.10	7.22	6	1.10	0.75	9/16	0.55	3147.33	0.67
90184221	LV.A-70-14-AS-SST-1/2-13X2-VD	2.76	1/2-13	3.10	3.22	2	1.10	0.75	9/16	0.55	3147.33	0.28
90184223	LV.A-70-14-AS-SST-1/2-13X4-VD	2.76	1/2-13	5.10	5.22	4	1.10	0.75	9/16	0.55	3147.33	0.39
90184225	LV.A-70-14-AS-SST-1/2-13X6-VD	2.76	1/2-13	7.10	7.22	6	1.10	0.75	9/16	0.55	3147.33	0.28
90184241	LV.A-70-14-AS-SST-5/8-11X4-VD	2.76	5/8-11	5.10	5.22	4	1.10	0.75	5/8	0.55	3147.33	0.30
90184243	LV.A-70-14-AS-SST-5/8-11X6-VD	2.76	5/8-11	7.10	7.22	6	1.10	0.75	5/8	0.55	3147.33	0.40
90184245	LV.A-70-14-AS-SST-5/8-11X8-VD	2.76	5/8-11	9.10	9.22	8	1.10	0.75	5/8	0.55	3147.33	0.39
90184301	LV.A-80-14-AS-SST-3/8-16X2-VD	3.15	3/8-16	3.30	3.42	2	1.30	0.94	9/16	0.55	3596.94	0.51
90184303	LV.A-80-14-AS-SST-3/8-16X4-VD	3.15	3/8-16	5.30	5.42	4	1.30	0.94	9/16	0.55	3596.94	0.67
90184305	LV.A-80-14-AS-SST-3/8-16X6-VD	3.15	3/8-16	7.30	7.42	6	1.30	0.94	9/16	0.55	3596.94	0.73
90184321	LV.A-80-14-AS-SST-1/2-13X2-VD	3.15	1/2-13	3.30	3.42	2	1.30	0.94	9/16	0.55	3596.94	0.39
90184323	LV.A-80-14-AS-SST-1/2-13X4-VD	3.15	1/2-13	5.30	5.42	4	1.30	0.94	9/16	0.55	3596.94	0.50
90184325	LV.A-80-14-AS-SST-1/2-13X6-VD	3.15	1/2-13	7.30	7.42	6	1.30	0.94	9/16	0.55	3596.94	0.40
90184341	LV.A-80-14-AS-SST-5/8-11X4-VD	3.15	5/8-11	5.30	5.42	4	1.30	0.94	5/8	0.55	3596.94	0.41
90184343	LV.A-80-14-AS-SST-5/8-11X6-VD	3.15	5/8-11	7.30	7.42	6	1.30	0.94	5/8	0.55	3596.94	0.52
90184345	LV.A-80-14-AS-SST-5/8-11X8-VD	3.15	5/8-11	9.30	9.42	8	1.30	0.94	5/8	0.55	3596.94	0.50
90328621	LV.A-80-24-AS-SST-5/8-11X4-VD	3.15	5/8-11	5.69	5.81	4	1.69	0.94	15/16	0.94	4046.56	0.62
90328626	LV.A-80-24-AS-SST-5/8-11X6-VD	3.15	5/8-11	7.69	7.81	6	1.69	0.94	15/16	0.94	4046.56	0.79
90328641	LV.A-80-24-AS-SST-5/8-11X8-VD	3.15	5/8-11	9.69	9.81	8	1.69	0.94	15/16	0.94	4046.56	0.84
90328726	LV.A-80-24-AS-SST-3/4-10X4-VD	3.15	3/4-10	5.69	5.81	4	1.69	0.94	15/16	0.94	4046.56	0.82
90328741	LV.A-80-24-AS-SST-3/4-10X6-VD	3.15	3/4-10	7.69	7.81	6	1.69	0.94	15/16	0.94	4046.56	0.93
90328761	LV.A-80-24-AS-SST-3/4-10X8-VD	3.15	3/4-10	9.69	9.81	8	1.69	0.94	15/16	0.94	4046.56	0.99

Levelling elements and supports

* The max static load is the value above which the load applied to the element may cause some plastic material breakage, in particular conditions of use. Obviously, a factor that takes into consideration the importance and the safety level of the specific application must be applied to this value.



INOX STAINLESS STEEL INCH

LV.A-AS-SST-VD

Code	Description	D	d2A	L	L1	l	l1	h	s	Articulation Ø	Max. limit static load* [lbf]	⚖️
90184401	LV.A-100-14-AS-SST-3/8-16X2-VD	3.94	3/8-16	3.30	3.42	2	1.30	0.94	9/16	0.55	4046.56	0.98
90184403	LV.A-100-14-AS-SST-3/8-16X4-VD	3.94	3/8-16	5.30	5.42	4	1.30	0.94	9/16	0.55	4046.56	1.15
90184405	LV.A-100-14-AS-SST-3/8-16X6-VD	3.94	3/8-16	7.30	7.42	6	1.30	0.94	9/16	0.55	4046.56	1.43
90184421	LV.A-100-14-AS-SST-1/2-13X2-VD	3.94	1/2-13	3.30	3.42	2	1.30	0.94	9/16	0.55	4046.56	0.64
90184423	LV.A-100-14-AS-SST-1/2-13X4-VD	3.94	1/2-13	5.30	5.42	4	1.30	0.94	9/16	0.55	4046.56	0.75
90184425	LV.A-100-14-AS-SST-1/2-13X6-VD	3.94	1/2-13	7.30	7.42	6	1.30	0.94	9/16	0.55	4046.56	0.81
90184441	LV.A-100-14-AS-SST-5/8-11X4-VD	3.94	5/8-11	5.30	5.42	4	1.30	0.94	5/8	0.55	4046.56	0.80
90184443	LV.A-100-14-AS-SST-5/8-11X6-VD	3.94	5/8-11	7.30	7.42	6	1.30	0.94	5/8	0.55	4046.56	0.97
90184445	LV.A-100-14-AS-SST-5/8-11X8-VD	3.94	5/8-11	9.30	9.42	8	1.30	0.94	5/8	0.55	4046.56	1.26
90325521	LV.A-100-24-AS-SST-5/8-11X4-VD	3.94	5/8-11	5.69	5.81	4	1.69	0.94	15/16	0.94	5620.22	0.70
90325526	LV.A-100-24-AS-SST-5/8-11X6-VD	3.94	5/8-11	7.69	7.81	6	1.69	0.94	15/16	0.94	5620.22	0.82
90325541	LV.A-100-24-AS-SST-5/8-11X8-VD	3.94	5/8-11	9.69	9.81	8	1.69	0.94	15/16	0.94	5620.22	0.88
90325626	LV.A-100-24-AS-SST-3/4-10X4-VD	3.94	3/4-10	5.69	5.81	4	1.69	0.94	15/16	0.94	5620.22	0.87
90325641	LV.A-100-24-AS-SST-3/4-10X6-VD	3.94	3/4-10	7.69	7.81	6	1.69	0.94	15/16	0.94	5620.22	1.04
90325661	LV.A-100-24-AS-SST-3/4-10X8-VD	3.94	3/4-10	9.69	9.81	8	1.69	0.94	15/16	0.94	5620.22	1.32
90329521	LV.A-125-24-AS-SST-5/8-11X4-VD	4.92	5/8-11	6.64	6.76	4	2.64	1.81	15/16	0.94	6294.65	1.15
90329526	LV.A-125-24-AS-SST-5/8-11X6-VD	4.92	5/8-11	8.64	8.76	6	2.64	1.81	15/16	0.94	6294.65	1.27
90329541	LV.A-125-24-AS-SST-5/8-11X8-VD	4.92	5/8-11	10.64	10.76	8	2.64	1.81	15/16	0.94	6294.65	1.33
90329626	LV.A-125-24-AS-SST-3/4-10X4-VD	4.92	3/4-10	6.64	6.76	4	2.64	1.81	15/16	0.94	6294.65	1.32
90329641	LV.A-125-24-AS-SST-3/4-10X6-VD	4.92	3/4-10	8.64	8.76	6	2.64	1.81	15/16	0.94	6294.65	1.49
90329661	LV.A-125-24-AS-SST-3/4-10X8-VD	4.92	3/4-10	10.64	10.76	8	2.64	1.81	15/16	0.94	6294.65	1.77

* The max static load is the value above which the load applied to the element may cause some plastic material breakage, in particular conditions of use. Obviously, a factor that takes into consideration the importance and the safety level of the specific application must be applied to this value.



Levelling elements and supports