

- 1
- 2
- 3
- 4
- 5
- 6
- 7
- 8
- 9
- 10
- 11
- 12
- 13
- 14
- 15
- 16
- 17
- 18

STANDARD EXECUTIONS

Base with articulation or threaded stem with Zinc-plated steel nut.

- LMP.F (d): threaded blind ball joint, without no-slip disk.
- LMP.F-TR (d): threaded blind ball joint.

Thermoplastic elastomer no-slip coating (TPE).

- LMP.F-TV (d): threaded blind ball joint.

Vulcanised rubber (NBR) with no-slip coating hardness 70 tolerance +/-5 Shore A.

- LMP.F (d - I): threaded stem, without no-slip disk.

- LMP.F-TR (d - I): threaded stem.

Thermoplastic elastomer no-slip coating (TPE).

- LMP.F-TV (d - I): threaded stem.

Vulcanised rubber (NBR) with no-slip coating hardness 70 tolerance +/-5 Shore A.

SET SCREW

AISI 304 stainless steel.

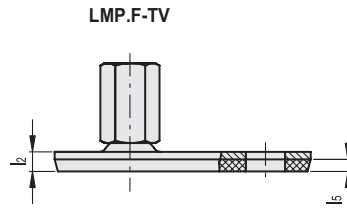
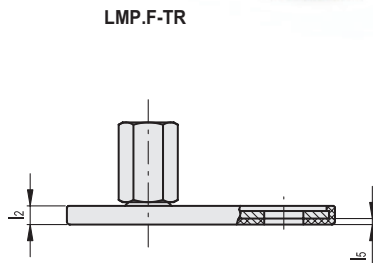
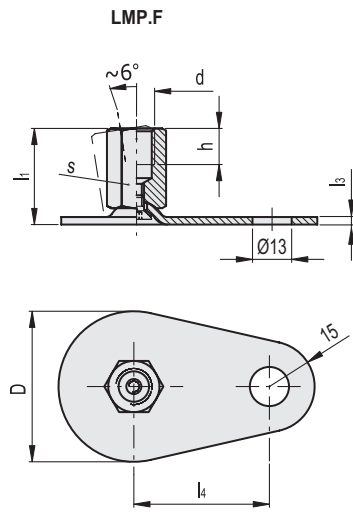
FEATURES

The resistance of the levelling feet to a static load is obviously limited by the permissible load capacity of the rod (steel strength class 500 N/mm²).

The static load values in the table below are the result of laboratory tests in which the load has been applied perpendicularly to the base. Such values have to be considered as purely indicative and must be verified under the specific conditions of use.

Under common working conditions, side or angular loading increases the stress on the levelling element and reduces its load capacity.

It's the user's responsibility to determine, case by case, whether the product is suitable for the intended use.



Conversion Table
1 mm = 0.039 inch

| D | |
|----|------|
| mm | inch |
| 50 | 1.97 |
| 60 | 2.36 |
| 80 | 3.15 |

METRIC

LMP.F (d)

| Code | Description | D | d | l1 | l3 | l4 | h | s | Max. limit static load [N] | ⚠ |
|--------|--------------|----|-----|----|-----|----|----|----|----------------------------|-----|
| 404941 | LMP.F-50-M8 | 50 | M8 | 25 | 2.5 | 45 | 8 | 14 | 8000 | 89 |
| 404942 | LMP.F-50-M10 | 50 | M10 | 28 | 2.5 | 45 | 10 | 14 | 8000 | 89 |
| 404943 | LMP.F-50-M12 | 50 | M12 | 32 | 2.5 | 45 | 12 | 17 | 8000 | 97 |
| 404944 | LMP.F-50-M16 | 50 | M16 | 37 | 2.5 | 45 | 16 | 22 | 8000 | 130 |
| 405000 | LMP.F-60-M8 | 60 | M8 | 25 | 2.5 | 50 | 8 | 14 | 8000 | 109 |
| 405001 | LMP.F-60-M10 | 60 | M10 | 28 | 2.5 | 50 | 10 | 14 | 10000 | 109 |
| 405002 | LMP.F-60-M12 | 60 | M12 | 32 | 2.5 | 50 | 12 | 17 | 10000 | 168 |
| 405003 | LMP.F-60-M16 | 60 | M16 | 25 | 2.5 | 50 | 16 | 22 | 10000 | 152 |
| 405059 | LMP.F-80-M8 | 80 | M8 | 26 | 3 | 70 | 8 | 14 | 8000 | 184 |
| 405060 | LMP.F-80-M10 | 80 | M10 | 29 | 3 | 70 | 10 | 14 | 10000 | 198 |
| 405061 | LMP.F-80-M12 | 80 | M12 | 32 | 3 | 70 | 12 | 17 | 12000 | 218 |
| 405062 | LMP.F-80-M16 | 80 | M16 | 38 | 3 | 70 | 16 | 22 | 12000 | 257 |
| 405063 | LMP.F-80-M20 | 80 | M20 | 45 | 3 | 70 | 20 | 27 | 10000 | 200 |

Levelling feet and supports

LMP.F-TR (d)

METRIC

| Code | Description | D | d | l1 | l2 | l3 | l4 | l5 | h | s | Max. limit static load [N] | ⚖️ |
|--------|-----------------|----|-----|----|----|-----|----|----|----|----|----------------------------|-----|
| 404971 | LMP.F-50-M8-TR | 50 | M8 | 25 | 6 | 2.5 | 45 | 2 | 8 | 14 | 8000 | 89 |
| 404972 | LMP.F-50-M10-TR | 50 | M10 | 28 | 6 | 2.5 | 45 | 2 | 10 | 14 | 8000 | 89 |
| 404973 | LMP.F-50-M12-TR | 50 | M12 | 32 | 6 | 2.5 | 45 | 2 | 12 | 17 | 8000 | 110 |
| 404974 | LMP.F-50-M16-TR | 50 | M16 | 37 | 6 | 2.5 | 45 | 2 | 16 | 22 | 8000 | 150 |
| 405030 | LMP.F-60-M8-TR | 60 | M8 | 25 | 6 | 2.5 | 50 | 2 | 8 | 14 | 8000 | 109 |
| 405031 | LMP.F-60-M10-TR | 60 | M10 | 28 | 6 | 2.5 | 50 | 2 | 10 | 14 | 10000 | 109 |
| 405032 | LMP.F-60-M12-TR | 60 | M12 | 32 | 6 | 2.5 | 50 | 2 | 12 | 17 | 10000 | 168 |
| 405033 | LMP.F-60-M16-TR | 60 | M16 | 37 | 6 | 2.5 | 50 | 2 | 16 | 22 | 10000 | 170 |
| 405098 | LMP.F-80-M8-TR | 80 | M8 | 26 | 7 | 3 | 70 | 2 | 8 | 14 | 8000 | 200 |
| 405095 | LMP.F-80-M10-TR | 80 | M10 | 29 | 7 | 3 | 70 | 2 | 10 | 14 | 10000 | 198 |
| 405096 | LMP.F-80-M12-TR | 80 | M12 | 32 | 7 | 3 | 70 | 2 | 12 | 17 | 12000 | 218 |
| 405097 | LMP.F-80-M16-TR | 80 | M16 | 38 | 7 | 3 | 70 | 2 | 16 | 22 | 12000 | 257 |
| 405099 | LMP.F-80-M20-TR | 80 | M20 | 45 | 7 | 3 | 70 | 2 | 20 | 27 | 16000 | 320 |

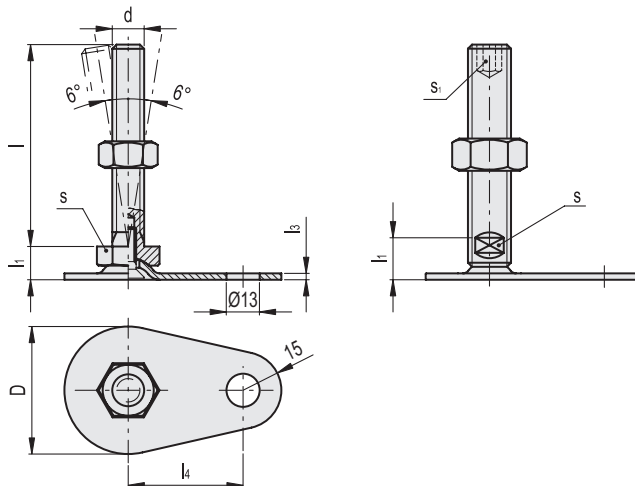
LMP.F-TV (d)

METRIC

| Code | Description | D | d | l1 | l2 | l3 | l4 | l5 | h | s | Max. limit static load [N] | ⚖️ |
|--------|-----------------|----|-----|----|-----|-----|----|-----|----|----|----------------------------|-----|
| 403701 | LMP.F-50-M8-TV | 50 | M8 | 25 | 6.5 | 2.5 | 45 | 4 | 8 | 14 | 8000 | 89 |
| 403702 | LMP.F-50-M10-TV | 50 | M10 | 28 | 6.5 | 2.5 | 45 | 4 | 10 | 14 | 8000 | 93 |
| 403699 | LMP.F-50-M12-TV | 50 | M12 | 32 | 6.5 | 2.5 | 45 | 4 | 12 | 17 | 8000 | 159 |
| 403700 | LMP.F-50-M16-TV | 50 | M16 | 37 | 6.5 | 2.5 | 45 | 4 | 16 | 22 | 8000 | 146 |
| 403721 | LMP.F-60-M8-TV | 60 | M8 | 25 | 7 | 2.5 | 50 | 4.5 | 8 | 14 | 8000 | 109 |
| 403722 | LMP.F-60-M10-TV | 60 | M10 | 28 | 7 | 2.5 | 50 | 4.5 | 10 | 14 | 10000 | 119 |
| 403723 | LMP.F-60-M12-TV | 60 | M12 | 32 | 7 | 2.5 | 50 | 4.5 | 12 | 17 | 10000 | 168 |
| 403720 | LMP.F-60-M16-TV | 60 | M16 | 37 | 7 | 2.5 | 50 | 4.5 | 16 | 22 | 10000 | 150 |
| 403769 | LMP.F-80-M8-TV | 80 | M8 | 26 | 8 | 3 | 70 | 5 | 8 | 14 | 8000 | 223 |
| 403741 | LMP.F-80-M10-TV | 80 | M10 | 29 | 8 | 3 | 70 | 5 | 10 | 14 | 10000 | 198 |
| 403742 | LMP.F-80-M12-TV | 80 | M12 | 32 | 8 | 3 | 70 | 5 | 12 | 17 | 12000 | 218 |
| 403743 | LMP.F-80-M16-TV | 80 | M16 | 38 | 8 | 3 | 70 | 5 | 16 | 22 | 12000 | 257 |
| 403740 | LMP.F-80-M20-TV | 80 | M20 | 45 | 8 | 3 | 70 | 5 | 20 | 27 | 16000 | 335 |

M8, M10, M12

M16, M20, M24



| Conversion Table | |
|-------------------|------|
| 1 mm = 0.039 inch | |
| D | |
| mm | inch |
| 50 | 1.97 |
| 60 | 2.36 |
| 80 | 3.15 |


LMP.F (d - l)

METRIC

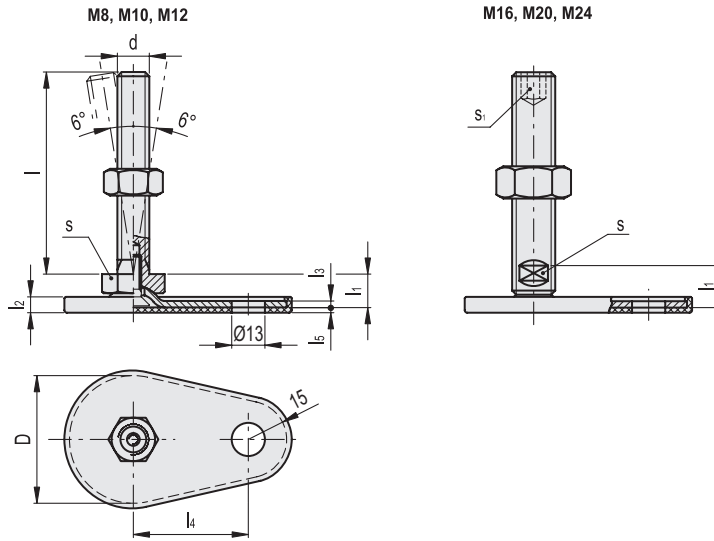
| Code | Description | D | d | l | l1 | l3 | l4 | s | s1 | Max. limit static load [N] | ⚖️ |
|--------|----------------|----|----|----|----|-----|----|----|----|----------------------------|----|
| 404946 | LMP.F-50-M8x40 | 50 | M8 | 40 | 11 | 2.5 | 45 | 17 | - | 8000 | 60 |
| 404947 | LMP.F-50-M8x50 | 50 | M8 | 50 | 11 | 2.5 | 45 | 17 | - | 8000 | 70 |
| 404948 | LMP.F-50-M8x63 | 50 | M8 | 63 | 11 | 2.5 | 45 | 17 | - | 8000 | 76 |

METRIC

LMP.F (d - l)

| Code | Description | D | d | l | l1 | l3 | l4 | s | s1 | Max. limit static load [N] |  |
|--------|------------------|----|-----|-----|----|-----|----|----|----|----------------------------|---|
| 404951 | LMP.F-50-M10x50 | 50 | M10 | 50 | 11 | 2.5 | 45 | 17 | - | 8000 | 80 |
| 404952 | LMP.F-50-M10x60 | 50 | M10 | 60 | 11 | 2.5 | 45 | 17 | - | 8000 | 84 |
| 404953 | LMP.F-50-M10x80 | 50 | M10 | 80 | 11 | 2.5 | 45 | 17 | - | 8000 | 99 |
| 404954 | LMP.F-50-M10x100 | 50 | M10 | 100 | 11 | 2.5 | 45 | 17 | - | 8000 | 100 |
| 404956 | LMP.F-50-M12x60 | 50 | M12 | 60 | 11 | 2.5 | 45 | 17 | - | 8000 | 104 |
| 404957 | LMP.F-50-M12x80 | 50 | M12 | 80 | 11 | 2.5 | 45 | 17 | - | 8000 | 109 |
| 404958 | LMP.F-50-M12x100 | 50 | M12 | 100 | 11 | 2.5 | 45 | 17 | - | 8000 | 120 |
| 404959 | LMP.F-50-M12x125 | 50 | M12 | 125 | 11 | 2.5 | 45 | 17 | - | 8000 | 160 |
| 404961 | LMP.F-50-M16x75 | 50 | M16 | 75 | 17 | 2.5 | 45 | 12 | 8 | 8000 | 175 |
| 404962 | LMP.F-50-M16x100 | 50 | M16 | 100 | 17 | 2.5 | 45 | 12 | 8 | 8000 | 200 |
| 404963 | LMP.F-50-M16x125 | 50 | M16 | 125 | 17 | 2.5 | 45 | 12 | 8 | 8000 | 243 |
| 404964 | LMP.F-50-M16x150 | 50 | M16 | 150 | 17 | 2.5 | 45 | 12 | 8 | 8000 | 277 |
| 404965 | LMP.F-50-M16x200 | 50 | M16 | 200 | 17 | 2.5 | 45 | 12 | 8 | 8000 | 320 |
| 405006 | LMP.F-60-M8x40 | 60 | M8 | 40 | 11 | 2.5 | 50 | 17 | - | 8000 | 65 |
| 405007 | LMP.F-60-M8x50 | 60 | M8 | 50 | 11 | 2.5 | 50 | 17 | - | 8000 | 70 |
| 405008 | LMP.F-60-M8x63 | 60 | M8 | 63 | 11 | 2.5 | 50 | 17 | - | 8000 | 81 |
| 405011 | LMP.F-60-M10x50 | 60 | M10 | 50 | 11 | 2.5 | 50 | 17 | - | 10000 | 100 |
| 405012 | LMP.F-60-M10x60 | 60 | M10 | 60 | 11 | 2.5 | 50 | 17 | - | 10000 | 107 |
| 405013 | LMP.F-60-M10x80 | 60 | M10 | 80 | 11 | 2.5 | 50 | 17 | - | 10000 | 114 |
| 405014 | LMP.F-60-M10x100 | 60 | M10 | 100 | 11 | 2.5 | 50 | 17 | - | 10000 | 119 |
| 405016 | LMP.F-60-M12x60 | 60 | M12 | 60 | 11 | 2.5 | 50 | 17 | - | 10000 | 120 |
| 405017 | LMP.F-60-M12x80 | 60 | M12 | 80 | 11 | 2.5 | 50 | 17 | - | 10000 | 136 |
| 405018 | LMP.F-60-M12x100 | 60 | M12 | 100 | 11 | 2.5 | 50 | 17 | - | 10000 | 147 |
| 405019 | LMP.F-60-M12x125 | 60 | M12 | 125 | 11 | 2.5 | 50 | 17 | - | 10000 | 167 |
| 405021 | LMP.F-60-M16x75 | 60 | M16 | 75 | 17 | 2.5 | 50 | 12 | 8 | 10000 | 187 |
| 405022 | LMP.F-60-M16x100 | 60 | M16 | 100 | 17 | 2.5 | 50 | 12 | 8 | 10000 | 210 |
| 405023 | LMP.F-60-M16x125 | 60 | M16 | 125 | 17 | 2.5 | 50 | 12 | 8 | 10000 | 258 |
| 405024 | LMP.F-60-M16x150 | 60 | M16 | 150 | 17 | 2.5 | 50 | 12 | 8 | 10000 | 300 |
| 405025 | LMP.F-60-M16x200 | 60 | M16 | 200 | 17 | 2.5 | 50 | 12 | 8 | 10000 | 400 |
| 405066 | LMP.F-80-M8x40 | 80 | M8 | 40 | 12 | 3 | 70 | 17 | - | 8000 | 140 |
| 405067 | LMP.F-80-M8x50 | 80 | M8 | 50 | 12 | 3 | 70 | 17 | - | 8000 | 160 |
| 405068 | LMP.F-80-M8x63 | 80 | M8 | 63 | 12 | 3 | 70 | 17 | - | 8000 | 170 |
| 405071 | LMP.F-80-M10x50 | 80 | M10 | 50 | 12 | 3 | 70 | 17 | - | 10000 | 150 |
| 405072 | LMP.F-80-M10x60 | 80 | M10 | 60 | 12 | 3 | 70 | 17 | - | 10000 | 168 |
| 405073 | LMP.F-80-M10x80 | 80 | M10 | 80 | 12 | 3 | 70 | 17 | - | 10000 | 180 |
| 405074 | LMP.F-80-M10x100 | 80 | M10 | 100 | 12 | 3 | 70 | 17 | - | 10000 | 190 |
| 405076 | LMP.F-80-M12x60 | 80 | M12 | 60 | 12 | 3 | 70 | 17 | - | 12000 | 180 |
| 405077 | LMP.F-80-M12x80 | 80 | M12 | 80 | 12 | 3 | 70 | 17 | - | 12000 | 200 |
| 405078 | LMP.F-80-M12x100 | 80 | M12 | 100 | 12 | 3 | 70 | 17 | - | 12000 | 220 |
| 405079 | LMP.F-80-M12x125 | 80 | M12 | 125 | 12 | 3 | 70 | 17 | - | 12000 | 233 |
| 405081 | LMP.F-80-M16x75 | 80 | M16 | 75 | 18 | 3 | 70 | 12 | 8 | 12000 | 200 |
| 405082 | LMP.F-80-M16x100 | 80 | M16 | 100 | 18 | 3 | 70 | 12 | 8 | 12000 | 260 |
| 405083 | LMP.F-80-M16x125 | 80 | M16 | 125 | 18 | 3 | 70 | 12 | 8 | 12000 | 290 |
| 405084 | LMP.F-80-M16x150 | 80 | M16 | 150 | 18 | 3 | 70 | 12 | 8 | 12000 | 360 |
| 405085 | LMP.F-80-M16x200 | 80 | M16 | 200 | 18 | 3 | 70 | 12 | 8 | 12000 | 464 |
| 405086 | LMP.F-80-M20x75 | 80 | M20 | 75 | 19 | 3 | 70 | 15 | 10 | 16000 | 350 |
| 405087 | LMP.F-80-M20x100 | 80 | M20 | 100 | 19 | 3 | 70 | 15 | 10 | 16000 | 380 |
| 405088 | LMP.F-80-M20x125 | 80 | M20 | 125 | 19 | 3 | 70 | 15 | 10 | 16000 | 400 |
| 405089 | LMP.F-80-M20x150 | 80 | M20 | 150 | 19 | 3 | 70 | 15 | 10 | 16000 | 460 |
| 405090 | LMP.F-80-M20x200 | 80 | M20 | 200 | 19 | 3 | 70 | 15 | 10 | 16000 | 640 |
| 405091 | LMP.F-80-M24x100 | 80 | M24 | 100 | 22 | 3 | 70 | 19 | 12 | 16000 | 550 |
| 405092 | LMP.F-80-M24x125 | 80 | M24 | 125 | 22 | 3 | 70 | 19 | 12 | 16000 | 619 |
| 405093 | LMP.F-80-M24x150 | 80 | M24 | 150 | 22 | 3 | 70 | 19 | 12 | 16000 | 687 |
| 405094 | LMP.F-80-M24x200 | 80 | M24 | 200 | 22 | 3 | 70 | 19 | 12 | 16000 | 860 |

| Conversion Table | |
|-------------------|------|
| 1 mm = 0.039 inch | |
| mm | inch |
| 50 | 1.97 |
| 60 | 2.36 |
| 80 | 3.15 |



LMP.F-TR (d - l)

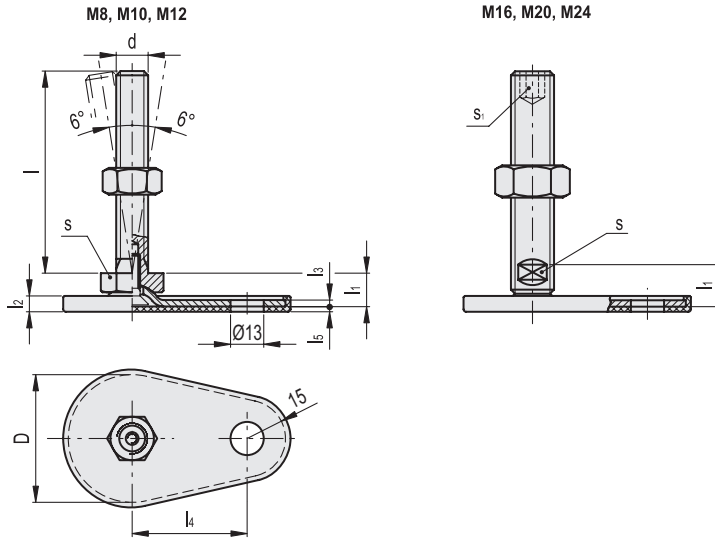
METRIC

| Code | Description | D | d | l | l1 | l2 | l3 | l4 | l5 | s | s1 | Max. limit static load [N] | ⚖️ |
|--------|---------------------|----|-----|-----|----|----|-----|----|----|----|----|----------------------------|-----|
| 404976 | LMP.F-50-M8x40-TR | 50 | M8 | 40 | 11 | 6 | 2.5 | 45 | 2 | 17 | - | 8000 | 61 |
| 404977 | LMP.F-50-M8x50-TR | 50 | M8 | 50 | 11 | 6 | 2.5 | 45 | 2 | 17 | - | 8000 | 80 |
| 404978 | LMP.F-50-M8x63-TR | 50 | M8 | 63 | 11 | 6 | 2.5 | 45 | 2 | 17 | - | 8000 | 90 |
| 404981 | LMP.F-50-M10x50-TR | 50 | M10 | 50 | 11 | 6 | 2.5 | 45 | 2 | 17 | - | 8000 | 88 |
| 404982 | LMP.F-50-M10x60-TR | 50 | M10 | 60 | 11 | 6 | 2.5 | 45 | 2 | 17 | - | 8000 | 94 |
| 404983 | LMP.F-50-M10x80-TR | 50 | M10 | 80 | 11 | 6 | 2.5 | 45 | 2 | 17 | - | 8000 | 100 |
| 404984 | LMP.F-50-M10x100-TR | 50 | M10 | 100 | 11 | 6 | 2.5 | 45 | 2 | 17 | - | 8000 | 110 |
| 404986 | LMP.F-50-M12x60-TR | 50 | M12 | 60 | 11 | 6 | 2.5 | 45 | 2 | 17 | - | 8000 | 120 |
| 404987 | LMP.F-50-M12x80-TR | 50 | M12 | 80 | 11 | 6 | 2.5 | 45 | 2 | 17 | - | 8000 | 130 |
| 404988 | LMP.F-50-M12x100-TR | 50 | M12 | 100 | 11 | 6 | 2.5 | 45 | 2 | 17 | - | 8000 | 140 |
| 404989 | LMP.F-50-M12x125-TR | 50 | M12 | 125 | 11 | 6 | 2.5 | 45 | 2 | 17 | - | 8000 | 160 |
| 404991 | LMP.F-50-M16x75-TR | 50 | M16 | 75 | 17 | 6 | 2.5 | 45 | 2 | 12 | 8 | 8000 | 178 |
| 404992 | LMP.F-50-M16x100-TR | 50 | M16 | 100 | 17 | 6 | 2.5 | 45 | 2 | 12 | 8 | 8000 | 220 |
| 404993 | LMP.F-50-M16x125-TR | 50 | M16 | 125 | 17 | 6 | 2.5 | 45 | 2 | 12 | 8 | 8000 | 250 |
| 404994 | LMP.F-50-M16x150-TR | 50 | M16 | 150 | 17 | 6 | 2.5 | 45 | 2 | 12 | 8 | 8000 | 280 |
| 404995 | LMP.F-50-M16x200-TR | 50 | M16 | 200 | 17 | 6 | 2.5 | 45 | 2 | 12 | 8 | 8000 | 300 |
| 405036 | LMP.F-60-M8x40-TR | 60 | M8 | 40 | 11 | 6 | 2.5 | 50 | 2 | 17 | - | 8000 | 80 |
| 405037 | LMP.F-60-M8x50-TR | 60 | M8 | 50 | 11 | 6 | 2.5 | 50 | 2 | 17 | - | 8000 | 89 |
| 405038 | LMP.F-60-M8x63-TR | 60 | M8 | 63 | 11 | 6 | 2.5 | 50 | 2 | 17 | - | 8000 | 104 |
| 405041 | LMP.F-60-M10x50-TR | 60 | M10 | 50 | 11 | 6 | 2.5 | 50 | 2 | 17 | - | 10000 | 100 |
| 405042 | LMP.F-60-M10x60-TR | 60 | M10 | 60 | 11 | 6 | 2.5 | 50 | 2 | 17 | - | 10000 | 110 |
| 405043 | LMP.F-60-M10x80-TR | 60 | M10 | 80 | 11 | 6 | 2.5 | 50 | 2 | 17 | - | 10000 | 120 |
| 405044 | LMP.F-60-M10x100-TR | 60 | M10 | 100 | 11 | 6 | 2.5 | 50 | 2 | 17 | - | 10000 | 130 |
| 405046 | LMP.F-60-M12x60-TR | 60 | M12 | 60 | 11 | 6 | 2.5 | 50 | 2 | 17 | - | 10000 | 125 |
| 405047 | LMP.F-60-M12x80-TR | 60 | M12 | 80 | 11 | 6 | 2.5 | 50 | 2 | 17 | - | 10000 | 143 |
| 405048 | LMP.F-60-M12x100-TR | 60 | M12 | 100 | 11 | 6 | 2.5 | 50 | 2 | 17 | - | 10000 | 158 |
| 405049 | LMP.F-60-M12x125-TR | 60 | M12 | 125 | 11 | 6 | 2.5 | 50 | 2 | 17 | - | 10000 | 180 |
| 405051 | LMP.F-60-M16x75-TR | 60 | M16 | 75 | 17 | 6 | 2.5 | 50 | 2 | 12 | 8 | 10000 | 200 |
| 405052 | LMP.F-60-M16x100-TR | 60 | M16 | 100 | 17 | 6 | 2.5 | 50 | 2 | 12 | 8 | 10000 | 220 |
| 405053 | LMP.F-60-M16x125-TR | 60 | M16 | 125 | 17 | 6 | 2.5 | 50 | 2 | 12 | 8 | 10000 | 260 |
| 405054 | LMP.F-60-M16x150-TR | 60 | M16 | 150 | 17 | 6 | 2.5 | 50 | 2 | 12 | 8 | 10000 | 300 |
| 405055 | LMP.F-60-M16x200-TR | 60 | M16 | 200 | 17 | 6 | 2.5 | 50 | 2 | 12 | 8 | 10000 | 347 |



- 1
- 2
- 3
- 4
- 5
- 6
- 7
- 8
- 9
- 10
- 11
- 12
- 13
- 14
- 15
- 16
- 17
- 18

| Conversion Table | |
|-------------------|------|
| 1 mm = 0,039 inch | |
| D | |
| mm | inch |
| 80 | 3.15 |

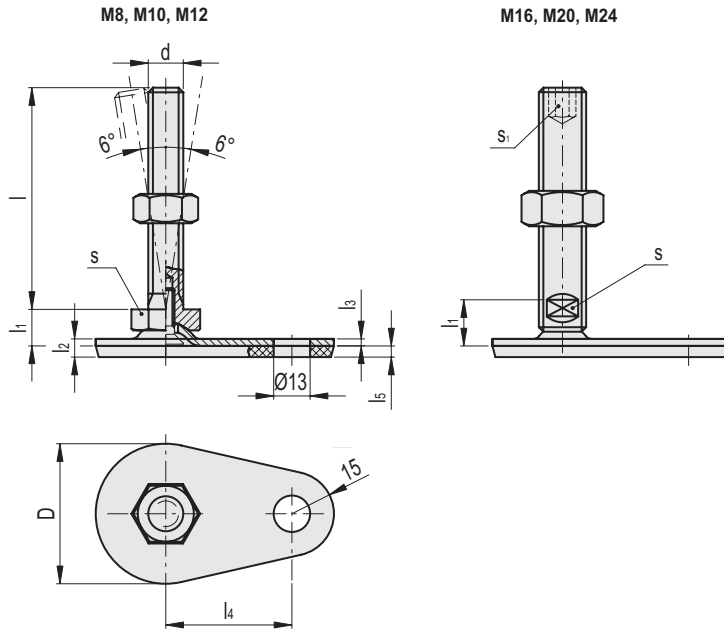


LMP.F-TR (d - l)

METRIC

| Code | Description | D | d | l | l1 | l2 | l3 | l4 | l5 | s | s1 | Max. limit static load [N] | ⚖️ |
|--------|---------------------|----|-----|-----|----|----|----|----|----|----|----|----------------------------|-----|
| 405101 | LMP.F-80-M8x40-TR | 80 | M8 | 40 | 12 | 7 | 3 | 70 | 2 | 17 | - | 8000 | 156 |
| 405102 | LMP.F-80-M8x50-TR | 80 | M8 | 50 | 12 | 7 | 3 | 70 | 2 | 17 | - | 8000 | 163 |
| 405103 | LMP.F-80-M8x63-TR | 80 | M8 | 63 | 12 | 7 | 3 | 70 | 2 | 17 | - | 8000 | 180 |
| 405106 | LMP.F-80-M10x50-TR | 80 | M10 | 50 | 12 | 7 | 3 | 70 | 2 | 17 | - | 10000 | 160 |
| 405107 | LMP.F-80-M10x60-TR | 80 | M10 | 60 | 12 | 7 | 3 | 70 | 2 | 17 | - | 10000 | 184 |
| 405108 | LMP.F-80-M10x80-TR | 80 | M10 | 80 | 12 | 7 | 3 | 70 | 2 | 17 | - | 10000 | 206 |
| 405109 | LMP.F-80-M10x100-TR | 80 | M10 | 100 | 12 | 7 | 3 | 70 | 2 | 17 | - | 10000 | 230 |
| 405111 | LMP.F-80-M12x60-TR | 80 | M12 | 60 | 12 | 7 | 3 | 70 | 2 | 17 | - | 12000 | 200 |
| 405112 | LMP.F-80-M12x80-TR | 80 | M12 | 80 | 12 | 7 | 3 | 70 | 2 | 17 | - | 12000 | 220 |
| 405113 | LMP.F-80-M12x100-TR | 80 | M12 | 100 | 12 | 7 | 3 | 70 | 2 | 17 | - | 12000 | 250 |
| 405114 | LMP.F-80-M12x125-TR | 80 | M12 | 125 | 12 | 7 | 3 | 70 | 2 | 17 | - | 12000 | 290 |
| 405116 | LMP.F-80-M16x75-TR | 80 | M16 | 75 | 18 | 7 | 3 | 70 | 2 | 12 | 8 | 12000 | 280 |
| 405117 | LMP.F-80-M16x100-TR | 80 | M16 | 100 | 18 | 7 | 3 | 70 | 2 | 12 | 8 | 12000 | 320 |
| 405118 | LMP.F-80-M16x125-TR | 80 | M16 | 125 | 18 | 7 | 3 | 70 | 2 | 12 | 8 | 12000 | 360 |
| 405119 | LMP.F-80-M16x150-TR | 80 | M16 | 150 | 18 | 7 | 3 | 70 | 2 | 12 | 8 | 12000 | 400 |
| 405120 | LMP.F-80-M16x200-TR | 80 | M16 | 200 | 18 | 7 | 3 | 70 | 2 | 12 | 8 | 12000 | 481 |
| 405121 | LMP.F-80-M20x75-TR | 80 | M20 | 75 | 19 | 7 | 3 | 70 | 2 | 15 | 10 | 16000 | 360 |
| 405122 | LMP.F-80-M20x100-TR | 80 | M20 | 100 | 19 | 7 | 3 | 70 | 2 | 15 | 10 | 16000 | 400 |
| 405123 | LMP.F-80-M20x125-TR | 80 | M20 | 125 | 19 | 7 | 3 | 70 | 2 | 15 | 10 | 16000 | 559 |
| 405124 | LMP.F-80-M20x150-TR | 80 | M20 | 150 | 19 | 7 | 3 | 70 | 2 | 15 | 10 | 16000 | 400 |
| 405125 | LMP.F-80-M20x200-TR | 80 | M20 | 200 | 19 | 7 | 3 | 70 | 2 | 15 | 10 | 16000 | 490 |
| 405126 | LMP.F-80-M24x100-TR | 80 | M24 | 100 | 22 | 7 | 3 | 70 | 2 | 19 | 12 | 16000 | 560 |
| 405127 | LMP.F-80-M24x125-TR | 80 | M24 | 125 | 22 | 7 | 3 | 70 | 2 | 19 | 12 | 16000 | 630 |
| 405128 | LMP.F-80-M24x150-TR | 80 | M24 | 150 | 22 | 7 | 3 | 70 | 2 | 19 | 12 | 16000 | 700 |
| 405129 | LMP.F-80-M24x200-TR | 80 | M24 | 200 | 22 | 7 | 3 | 70 | 2 | 19 | 12 | 16000 | 877 |

Levelling feet and supports



| Conversion Table 1 mm = 0.039 inch | |
|---------------------------------------|------|
| D | |
| mm | inch |
| 50 | 1.97 |
| 60 | 2.36 |

LMP.F-TV (d - l)

METRIC

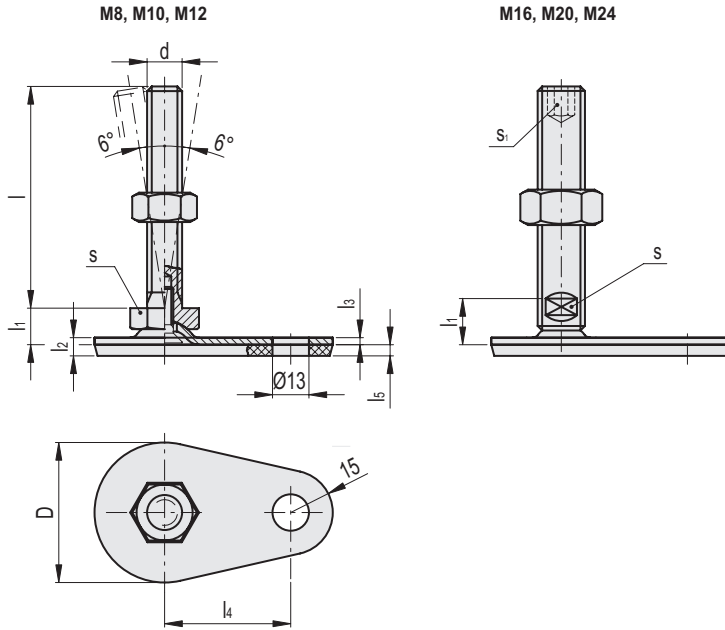
| Code | Description | D | d | l | l1 | l2 | l3 | l4 | l5 | s | s1 | Max. limit static load [N] | ⚖️ |
|--------|---------------------|----|-----|-----|----|-----|-----|----|-----|----|----|----------------------------|-----|
| 403703 | LMP.F-50-M8x40-TV | 50 | M8 | 40 | 11 | 6.5 | 2.5 | 45 | 4 | 17 | - | 8000 | 61 |
| 403704 | LMP.F-50-M8x50-TV | 50 | M8 | 50 | 11 | 6.5 | 2.5 | 45 | 4 | 17 | - | 8000 | 80 |
| 403705 | LMP.F-50-M8x63-TV | 50 | M8 | 63 | 11 | 6.5 | 2.5 | 45 | 4 | 17 | - | 8000 | 90 |
| 403706 | LMP.F-50-M10x50-TV | 50 | M10 | 50 | 11 | 6.5 | 2.5 | 45 | 4 | 17 | - | 8000 | 88 |
| 403707 | LMP.F-50-M10x60-TV | 50 | M10 | 60 | 11 | 6.5 | 2.5 | 45 | 4 | 17 | - | 8000 | 94 |
| 403708 | LMP.F-50-M10x80-TV | 50 | M10 | 80 | 11 | 6.5 | 2.5 | 45 | 4 | 17 | - | 8000 | 100 |
| 403709 | LMP.F-50-M10x100-TV | 50 | M10 | 100 | 11 | 6.5 | 2.5 | 45 | 4 | 17 | - | 8000 | 110 |
| 403710 | LMP.F-50-M12x60-TV | 50 | M12 | 60 | 11 | 6.5 | 2.5 | 45 | 4 | 17 | - | 8000 | 120 |
| 403711 | LMP.F-50-M12x80-TV | 50 | M12 | 80 | 11 | 6.5 | 2.5 | 45 | 4 | 17 | - | 8000 | 130 |
| 403712 | LMP.F-50-M12x100-TV | 50 | M12 | 100 | 11 | 6.5 | 2.5 | 45 | 4 | 17 | - | 8000 | 140 |
| 403713 | LMP.F-50-M12x125-TV | 50 | M12 | 125 | 11 | 6.5 | 2.5 | 45 | 4 | 17 | - | 8000 | 160 |
| 403714 | LMP.F-50-M16x75-TV | 50 | M16 | 75 | 17 | 6.5 | 2.5 | 45 | 4 | 12 | 8 | 8000 | 178 |
| 403715 | LMP.F-50-M16x100-TV | 50 | M16 | 100 | 17 | 6.5 | 2.5 | 45 | 4 | 12 | 8 | 8000 | 220 |
| 403716 | LMP.F-50-M16x125-TV | 50 | M16 | 125 | 17 | 6.5 | 2.5 | 45 | 4 | 12 | 8 | 8000 | 250 |
| 403717 | LMP.F-50-M16x150-TV | 50 | M16 | 150 | 17 | 6.5 | 2.5 | 45 | 4 | 12 | 8 | 8000 | 280 |
| 403718 | LMP.F-50-M16x200-TV | 50 | M16 | 200 | 17 | 6.5 | 2.5 | 45 | 4 | 12 | 8 | 8000 | 360 |
| 403724 | LMP.F-60-M8x40-TV | 60 | M8 | 40 | 11 | 7 | 2.5 | 50 | 4.5 | 17 | - | 8000 | 80 |
| 403725 | LMP.F-60-M8x50-TV | 60 | M8 | 50 | 11 | 7 | 2.5 | 50 | 4.5 | 17 | - | 8000 | 89 |
| 403726 | LMP.F-60-M8x63-TV | 60 | M8 | 63 | 11 | 7 | 2.5 | 50 | 4.5 | 17 | - | 8000 | 104 |
| 403727 | LMP.F-60-M10x50-TV | 60 | M10 | 50 | 11 | 7 | 2.5 | 50 | 4.5 | 17 | - | 10000 | 100 |
| 403728 | LMP.F-60-M10x60-TV | 60 | M10 | 60 | 11 | 7 | 2.5 | 50 | 4.5 | 17 | - | 10000 | 110 |
| 403729 | LMP.F-60-M10x80-TV | 60 | M10 | 80 | 11 | 7 | 2.5 | 50 | 4.5 | 17 | - | 10000 | 120 |
| 403730 | LMP.F-60-M10x100-TV | 60 | M10 | 100 | 11 | 7 | 2.5 | 50 | 4.5 | 17 | - | 10000 | 130 |
| 403731 | LMP.F-60-M12x60-TV | 60 | M12 | 60 | 11 | 7 | 2.5 | 50 | 4.5 | 17 | - | 10000 | 125 |
| 403732 | LMP.F-60-M12x80-TV | 60 | M12 | 80 | 11 | 7 | 2.5 | 50 | 4.5 | 17 | - | 10000 | 143 |
| 403733 | LMP.F-60-M12x100-TV | 60 | M12 | 100 | 11 | 7 | 2.5 | 50 | 4.5 | 17 | - | 10000 | 158 |
| 403734 | LMP.F-60-M12x125-TV | 60 | M12 | 125 | 11 | 7 | 2.5 | 50 | 4.5 | 17 | - | 10000 | 180 |
| 403735 | LMP.F-60-M16x75-TV | 60 | M16 | 75 | 17 | 7 | 2.5 | 50 | 4.5 | 12 | 8 | 10000 | 200 |
| 403736 | LMP.F-60-M16x100-TV | 60 | M16 | 100 | 17 | 7 | 2.5 | 50 | 4.5 | 12 | 8 | 10000 | 220 |
| 403737 | LMP.F-60-M16x125-TV | 60 | M16 | 125 | 17 | 7 | 2.5 | 50 | 4.5 | 12 | 8 | 10000 | 260 |
| 403738 | LMP.F-60-M16x150-TV | 60 | M16 | 150 | 17 | 7 | 2.5 | 50 | 4.5 | 12 | 8 | 10000 | 300 |
| 403739 | LMP.F-60-M16x200-TV | 60 | M16 | 200 | 17 | 7 | 2.5 | 50 | 4.5 | 12 | 8 | 10000 | 360 |



Levelling feet and supports

- 1
- 2
- 3
- 4
- 5
- 6
- 7
- 8
- 9
- 10
- 11
- 12
- 13
- 14
- 15
- 16
- 17
- 18

| Conversion Table | |
|-------------------|------|
| 1 mm = 0.039 inch | |
| D | |
| mm | inch |
| 80 | 3.15 |



METRIC

LMP.F-TV (d - l)

| Code | Description | D | d | l | l1 | l2 | l3 | l4 | l5 | s | s1 | Max. limit static load [N] | |
|--------|---------------------|----|-----|-----|----|----|----|----|----|----|----|----------------------------|-----|
| 403744 | LMP.F-80-M8x40-TV | 80 | M8 | 40 | 12 | 8 | 3 | 70 | 5 | 17 | - | 8000 | 156 |
| 403745 | LMP.F-80-M8x50-TV | 80 | M8 | 50 | 12 | 8 | 3 | 70 | 5 | 17 | - | 8000 | 163 |
| 403746 | LMP.F-80-M8x63-TV | 80 | M8 | 63 | 12 | 8 | 3 | 70 | 5 | 17 | - | 8000 | 180 |
| 403747 | LMP.F-80-M10x50-TV | 80 | M10 | 50 | 12 | 8 | 3 | 70 | 5 | 17 | - | 10000 | 160 |
| 403748 | LMP.F-80-M10x60-TV | 80 | M10 | 60 | 12 | 8 | 3 | 70 | 5 | 17 | - | 10000 | 184 |
| 403749 | LMP.F-80-M10x80-TV | 80 | M10 | 80 | 12 | 8 | 3 | 70 | 5 | 17 | - | 10000 | 206 |
| 403750 | LMP.F-80-M10x100-TV | 80 | M10 | 100 | 12 | 8 | 3 | 70 | 5 | 17 | - | 10000 | 230 |
| 403751 | LMP.F-80-M12x60-TV | 80 | M12 | 60 | 12 | 8 | 3 | 70 | 5 | 17 | - | 12000 | 200 |
| 403752 | LMP.F-80-M12x80-TV | 80 | M12 | 80 | 12 | 8 | 3 | 70 | 5 | 17 | - | 12000 | 220 |
| 403753 | LMP.F-80-M12x100-TV | 80 | M12 | 100 | 12 | 8 | 3 | 70 | 5 | 17 | - | 12000 | 250 |
| 403754 | LMP.F-80-M12x125-TV | 80 | M12 | 125 | 12 | 8 | 3 | 70 | 5 | 17 | - | 12000 | 290 |
| 403755 | LMP.F-80-M16x75-TV | 80 | M16 | 75 | 18 | 8 | 3 | 70 | 5 | 12 | 8 | 12000 | 280 |
| 403756 | LMP.F-80-M16x100-TV | 80 | M16 | 100 | 18 | 8 | 3 | 70 | 5 | 12 | 8 | 12000 | 320 |
| 403757 | LMP.F-80-M16x125-TV | 80 | M16 | 125 | 18 | 8 | 3 | 70 | 5 | 12 | 8 | 12000 | 360 |
| 403758 | LMP.F-80-M16x150-TV | 80 | M16 | 150 | 18 | 8 | 3 | 70 | 5 | 12 | 8 | 12000 | 400 |
| 403767 | LMP.F-80-M16x200-TV | 80 | M16 | 200 | 18 | 8 | 3 | 70 | 5 | 12 | 8 | 12000 | 400 |
| 403759 | LMP.F-80-M20x75-TV | 80 | M20 | 75 | 19 | 8 | 3 | 70 | 5 | 15 | 10 | 16000 | 360 |
| 403760 | LMP.F-80-M20x100-TV | 80 | M20 | 100 | 19 | 8 | 3 | 70 | 5 | 15 | 10 | 16000 | 400 |
| 403761 | LMP.F-80-M20x125-TV | 80 | M20 | 125 | 19 | 8 | 3 | 70 | 5 | 15 | 10 | 16000 | 559 |
| 403762 | LMP.F-80-M20x150-TV | 80 | M20 | 150 | 19 | 8 | 3 | 70 | 5 | 15 | 10 | 16000 | 400 |
| 403768 | LMP.F-80-M20x200-TV | 80 | M20 | 200 | 19 | 8 | 3 | 70 | 5 | 15 | 10 | 16000 | 660 |
| 403763 | LMP.F-80-M24x100-TV | 80 | M24 | 100 | 22 | 8 | 3 | 70 | 5 | 19 | 12 | 16000 | 560 |
| 403764 | LMP.F-80-M24x125-TV | 80 | M24 | 125 | 22 | 8 | 3 | 70 | 5 | 19 | 12 | 16000 | 630 |
| 403765 | LMP.F-80-M24x150-TV | 80 | M24 | 150 | 22 | 8 | 3 | 70 | 5 | 19 | 12 | 16000 | 700 |
| 403766 | LMP.F-80-M24x200-TV | 80 | M24 | 200 | 22 | 8 | 3 | 70 | 5 | 19 | 12 | 16000 | 897 |

Levelling feet and supports