

- 1
- 2
- 3
- 4
- 5
- 6
- 7
- 8
- 9
- 10
- 11
- 12
- 13
- 14
- 15
- 16
- 17
- 18

**STANDARD EXECUTIONS**

Polished zinc-plated steel base and joint with hole or threaded stem and nut.

- **LM (d)**: with threaded blind bore.
- **LM (d - l)**: with threaded stem.

**FEATURES**

The resistance of the levelling element to a static load is obviously limited by the load capacity of the stem.

The static load values in the table below refer to the resistance to a load applied on the axis of the levelling foot.

Under common working conditions, side or angular loading increases the stress on the stem and reduces its load capacity.

To increase the applicable load you can use the ball joint with threaded hole by inserting a steel threaded bar of higher resistance class. We recommend to insert a pressure pad between the end of the bar and the bottom of the threaded hole to reduce loading on the threading.

**SPECIAL EXECUTIONS ON REQUEST**

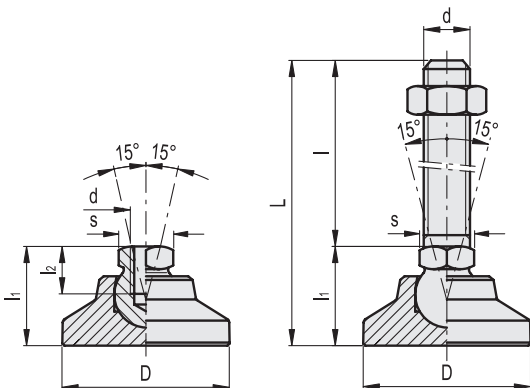
Executions with antistatic no-slip coating.



METRIC

LM (d)

LM (d - l)



Conversion Table	
1 mm = 0.039 inch	
D	
mm	inch
25	0.98
32	1.25
40	1.56
50	1.95
60	2.34

LM (d)

METRIC

Code	Description	D	d	l1	l2	s	Max. limit static load [N]	⚖️
401020	LM.25 M6	25	M6	19	9	12	7500	26
401021	LM.25 M8	25	M8	19	9	12	14000	30
401030	LM.32 M8	32	M8	23	9	12	14000	62
401031	LM.32 M10	32	M10	23	10.5	15	23000	64
401040	LM.40 M10	40	M10	26	10.5	15	23000	106
401041	LM.40 M12	40	M12	26	11.5	17	33000	108
401050	LM.50 M10	50	M10	28	10.5	15	23000	173
401051	LM.50 M12	50	M12	28	11.5	17	33000	175
401060	LM.60 M12	60	M12	36	11.5	17	33000	315
401061	LM.60 M16	60	M16	36	16	24	62000	320

LM (d - l)

Code	Description	D	d	L	l	l1	s	Max. limit static load [N]	⚖️
401520	LM.25 M6x40	25	M6	59	40	19	12	7500	39
401521	LM.25 M6x50	25	M6	69	50	19	12	7500	41
401522	LM.25 M6x63	25	M6	82	63	19	12	7500	45
401523	LM.25 M8x40	25	M8	59	40	19	12	14000	50
401524	LM.25 M8x50	25	M8	69	50	19	12	14000	55
401526	LM.25 M8x63	25	M8	82	63	19	12	14000	65
401527	LM.25 M10x50	25	M10	69	50	19	12	23000	54
401528	LM.25 M10x63	25	M10	82	63	19	12	23000	64
401529	LM.25 M10x80	25	M10	99	80	19	12	23000	76
401530	LM.32 M8x40	32	M8	63	40	23	12	14000	52
401531	LM.32 M8x50	32	M8	73	50	23	12	14000	57
401532	LM.32 M8x63	32	M8	86	63	23	12	14000	67
401533	LM.32 M10x50	32	M10	73	50	23	15	23000	110
401534	LM.32 M10x63	32	M10	86	63	23	15	23000	126
401536	LM.32 M10x80	32	M10	103	80	23	15	23000	145
401535	LM.32 M12x63	32	M12	86	63	23	15	33000	166
401537	LM.32 M12x80	32	M12	103	80	23	15	33000	183
401538	LM.32 M12x100	32	M12	123	100	23	15	33000	201
401539	LM.40 M8x50	40	M8	76	50	26	15	14000	142
401545	LM.40 M8x63	40	M8	89	63	26	15	14000	150
401547	LM.40 M8x80	40	M8	106	80	26	15	14000	158
401540	LM.40 M10x50	40	M10	76	50	26	15	23000	157
401541	LM.40 M10x63	40	M10	89	63	26	15	23000	165
401542	LM.40 M10x80	40	M10	106	80	26	15	23000	172
401543	LM.40 M12x63	40	M12	89	63	26	17	33000	180
401544	LM.40 M12x80	40	M12	106	80	26	17	33000	185
401546	LM.40 M12x100	40	M12	126	100	26	17	33000	205
401548	LM.50 M8x50	50	M8	78	50	28	15	14000	172
401549	LM.50 M8x63	50	M8	91	63	28	15	14000	180
401555	LM.50 M8x80	50	M8	108	80	28	15	14000	187
401550	LM.50 M10x50	50	M10	78	50	28	15	23000	207
401551	LM.50 M10x63	50	M10	91	63	28	15	23000	215
401552	LM.50 M10x80	50	M10	108	80	28	15	23000	222
401553	LM.50 M12x63	50	M12	91	63	28	17	33000	250
401554	LM.50 M12x80	50	M12	108	80	28	17	33000	260
401556	LM.50 M12x100	50	M12	128	100	28	17	33000	275
401557	LM.50 M16x63	50	M16	91	63	28	17	40000	286
401558	LM.50 M16x80	50	M16	108	80	28	17	40000	298
401559	LM.50 M16x100	50	M16	128	100	28	17	40000	311
401587	LM.60 M10x50	60	M10	86	50	36	17	23000	367
401588	LM.60 M10x63	60	M10	99	63	36	17	23000	386
401589	LM.60 M10x80	60	M10	116	80	36	17	23000	405
401560	LM.60 M12x63	60	M12	99	63	36	17	33000	440
401561	LM.60 M12x80	60	M12	116	80	36	17	33000	465
401562	LM.60 M12x100	60	M12	136	100	36	17	33000	500
401563	LM.60 M16x80	60	M16	116	80	36	24	62000	495
401565	LM.60 M16x100	60	M16	136	100	36	24	62000	520
401566	LM.60 M16x125	60	M16	161	125	36	24	62000	545
401571	LM.60 M20x98	60	M20	134	98	36	24	95000	550
401573	LM.60 M20x138	60	M20	174	138	36	24	95000	580
401576	LM.60 M20x158	60	M20	194	158	36	24	95000	610
401581	LM.60 M24x98	60	M24	134	98	36	24	95000	610
401583	LM.60 M24x138	60	M24	174	138	36	24	95000	630
401586	LM.60 M24x158	60	M24	194	158	36	24	95000	650

Levelling feet and supports